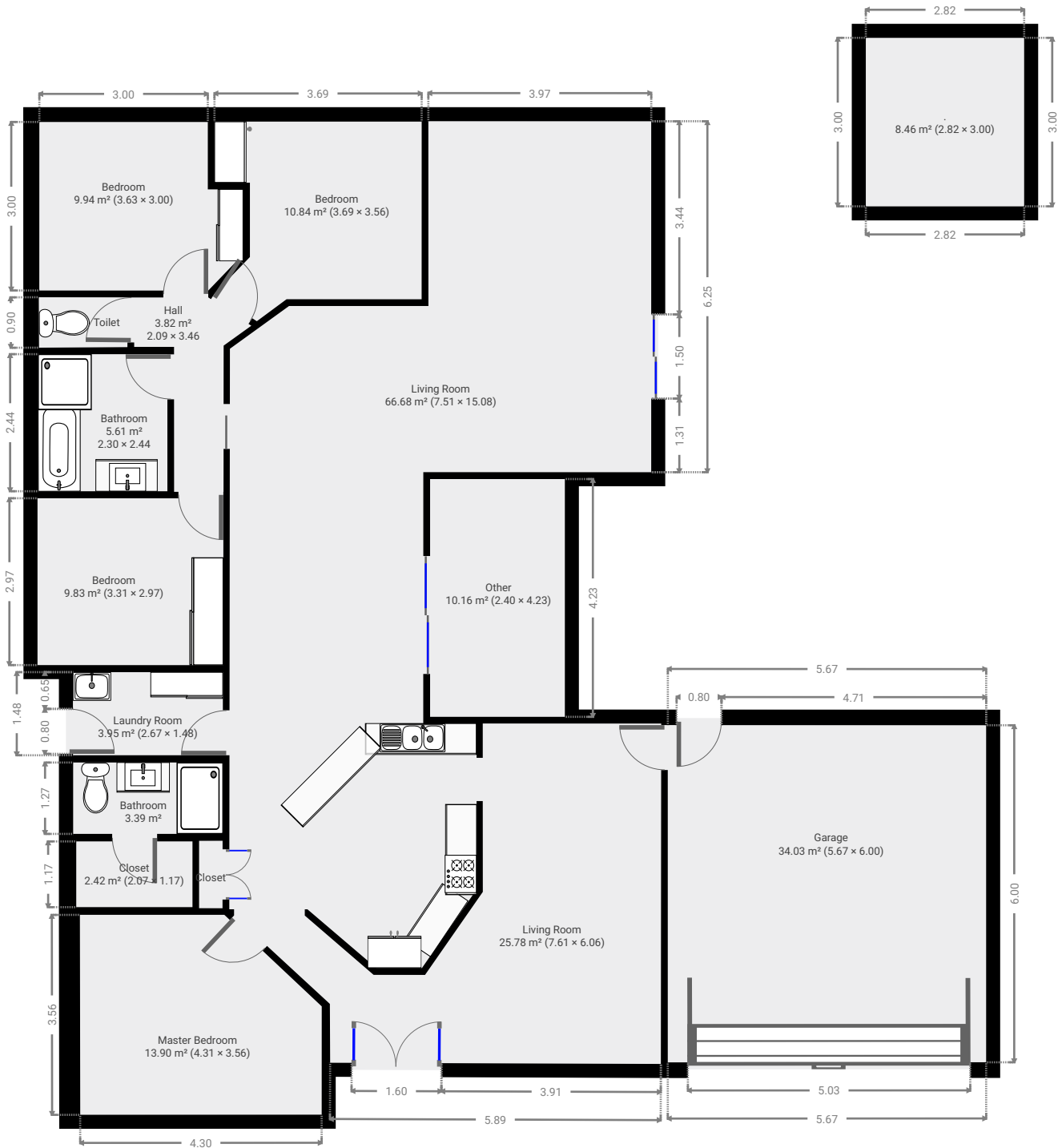


7 Reddy Drive

Created on
2021-03-31

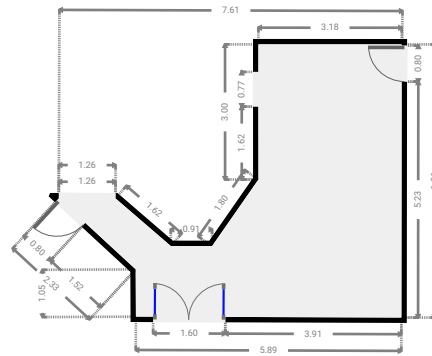
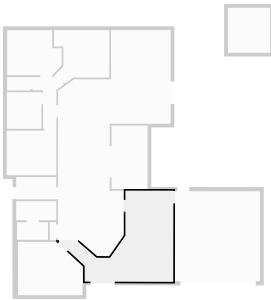
Floors
1

▼ Ground Floor



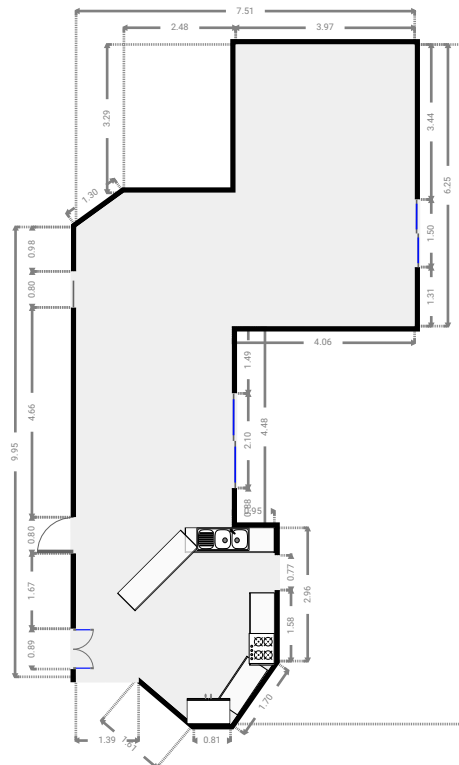
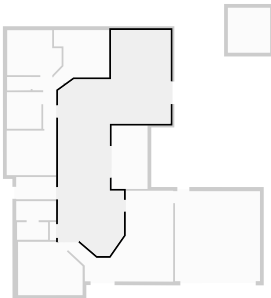
▼ Living Room Ground Floor

WIDTH: 7.61 m • LENGTH: 6.06 m
AREA: 25.78 m² • PERIMETER: 27.09 m



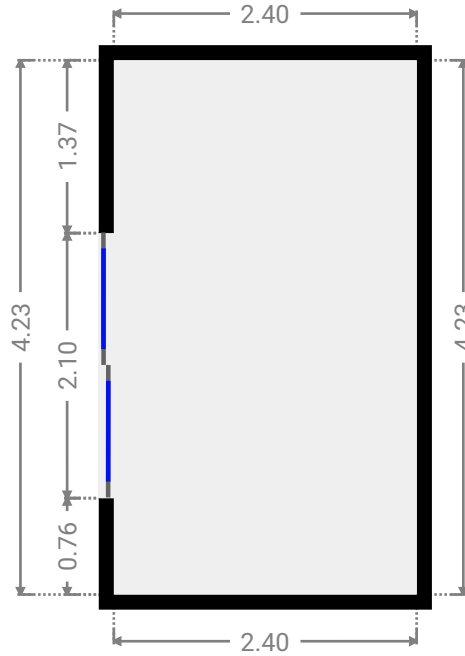
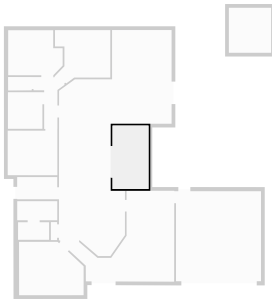
▼ Living Room Ground Floor

WIDTH: 7.51 m • LENGTH: 15.08 m
AREA: 66.68 m² • PERIMETER: 45.23 m



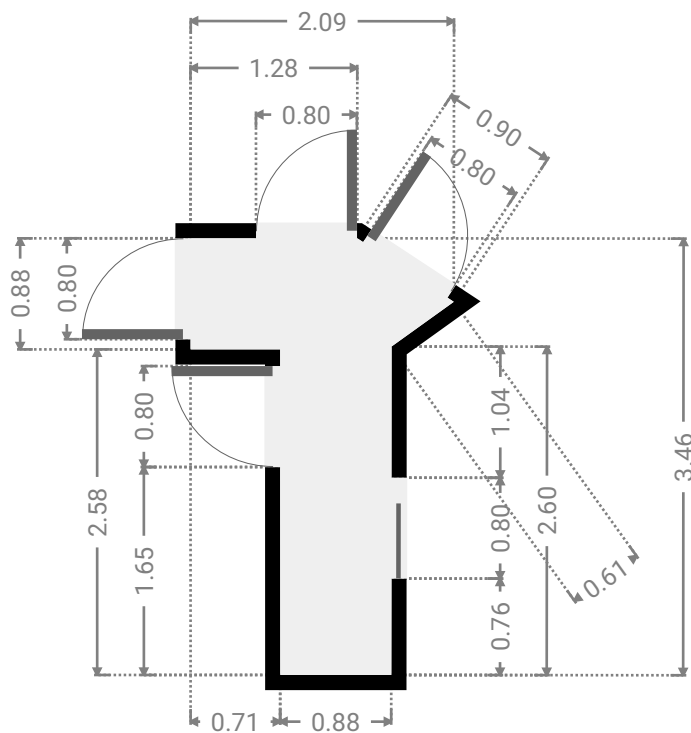
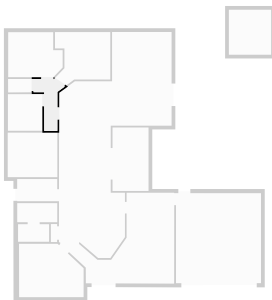
▼ Other Ground Floor

WIDTH: 2.40 m • LENGTH: 4.23 m
AREA: 10.16 m² • PERIMETER: 13.27 m



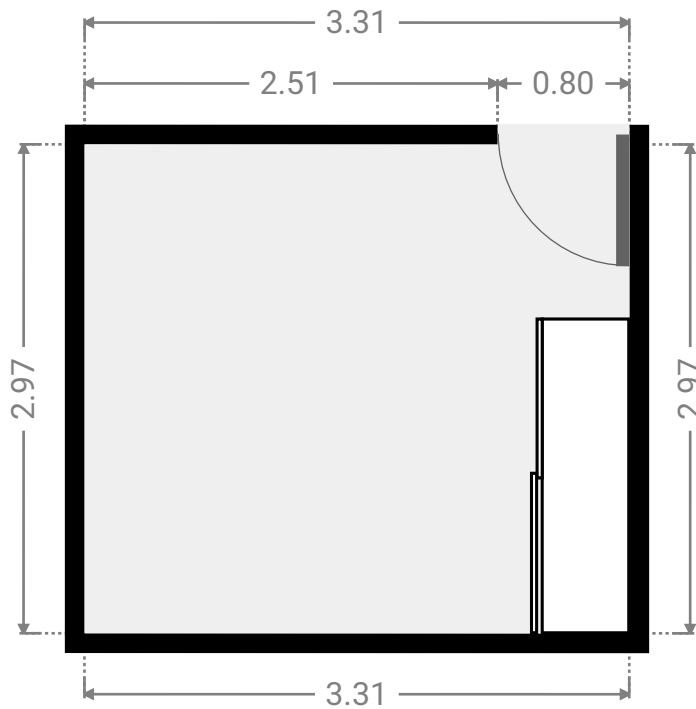
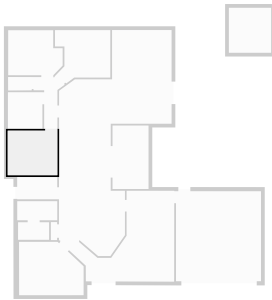
▼ Hall Ground Floor

WIDTH: 2.09 m • LENGTH: 3.46 m
AREA: 3.82 m² • PERIMETER: 10.50 m



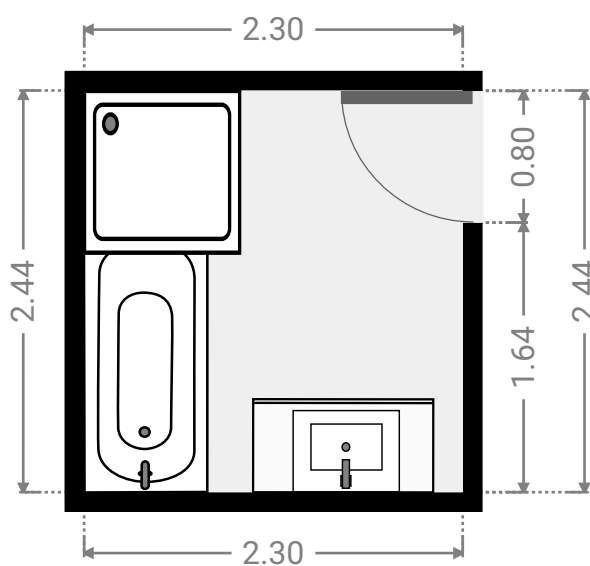
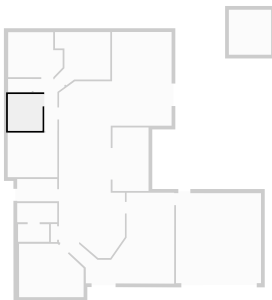
▼ **Bedroom**
Ground Floor

WIDTH: 3.31 m • LENGTH: 2.97 m
AREA: 9.83 m² • PERIMETER: 12.56 m



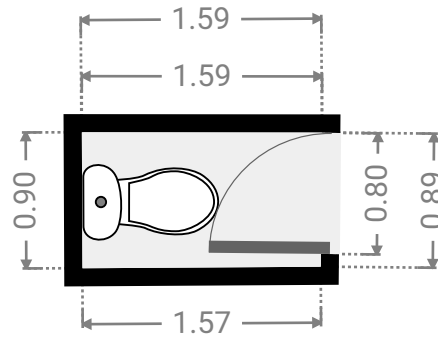
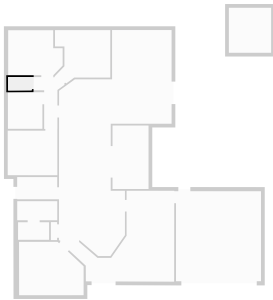
▼ **Bathroom**
Ground Floor

WIDTH: 2.30 m • LENGTH: 2.44 m
AREA: 5.61 m² • PERIMETER: 9.48 m



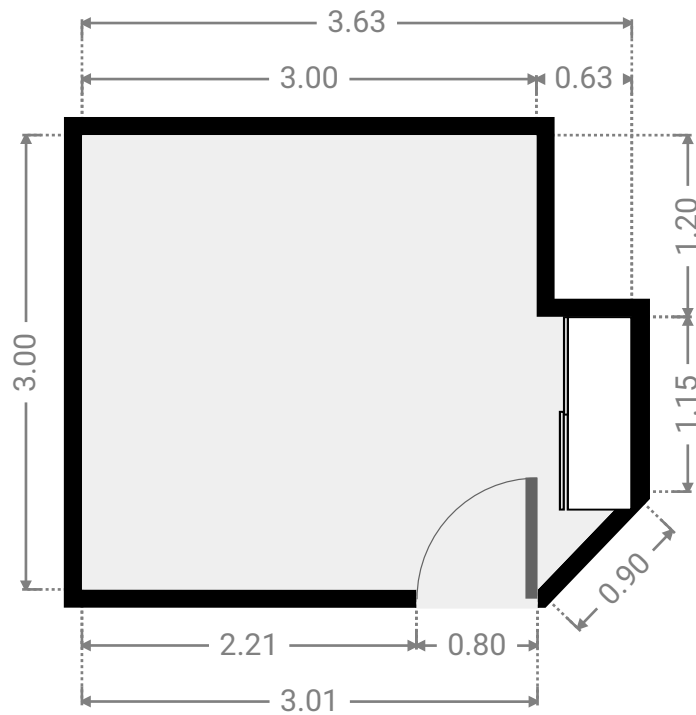
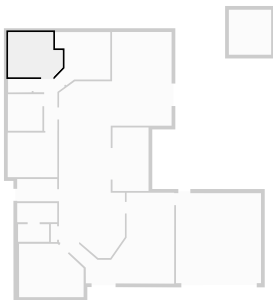
▼ **Toilet**
Ground Floor

WIDTH: 1.59 m • LENGTH: 0.90 m
AREA: 1.41 m² • PERIMETER: 4.94 m



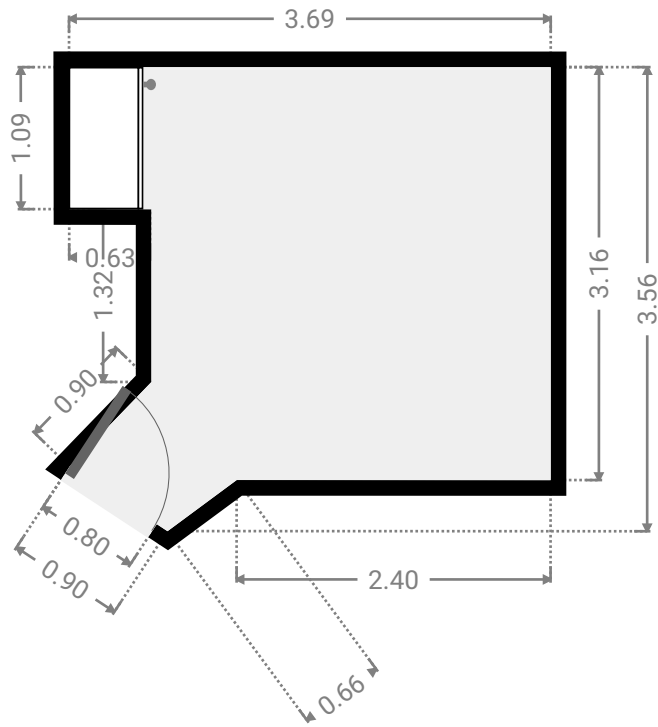
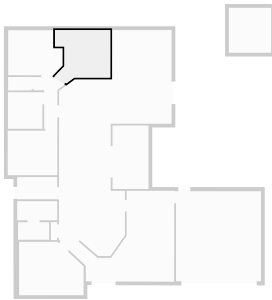
▼ **Bedroom**
Ground Floor

WIDTH: 3.63 m • LENGTH: 3.00 m
AREA: 9.94 m² • PERIMETER: 12.89 m



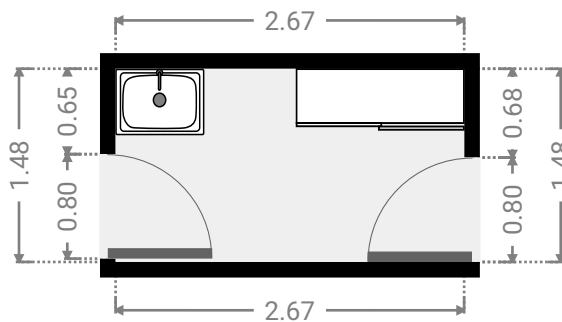
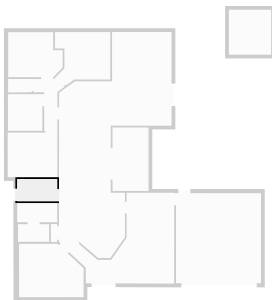
▼ **Bedroom**
Ground Floor

WIDTH: 3.69 m • LENGTH: 3.56 m
AREA: 10.84 m² • PERIMETER: 14.76 m



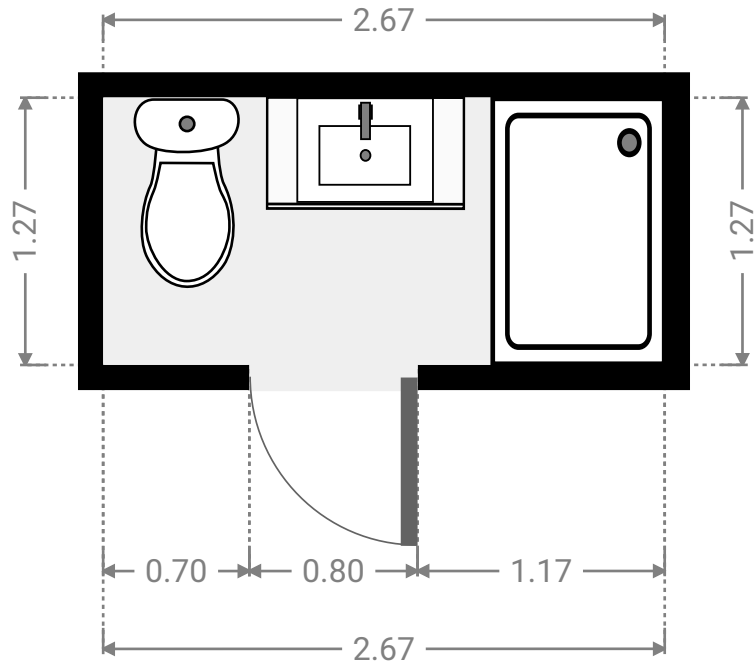
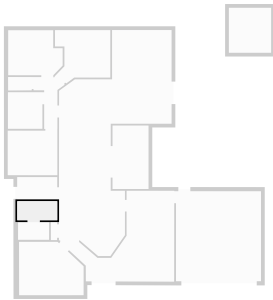
▼ **Laundry Room**
Ground Floor

WIDTH: 2.67 m • LENGTH: 1.48 m
AREA: 3.95 m² • PERIMETER: 8.30 m



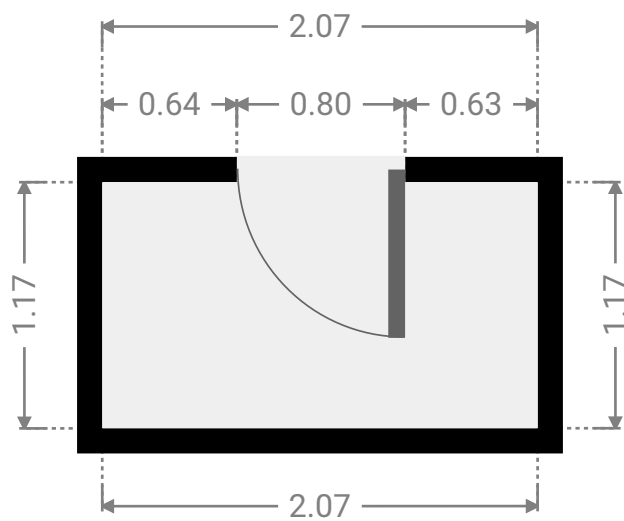
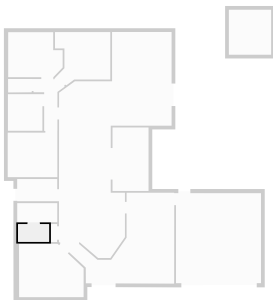
▼ **Bathroom**
Ground Floor

WIDTH: 2.67 m • LENGTH: 1.27 m
AREA: 3.39 m² • PERIMETER: 7.88 m



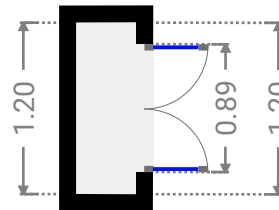
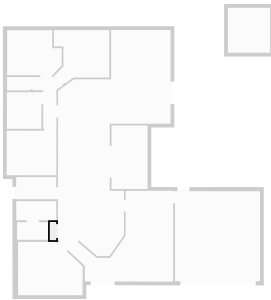
▼ **Closet**
Ground Floor

WIDTH: 2.07 m • LENGTH: 1.17 m
AREA: 2.42 m² • PERIMETER: 6.48 m



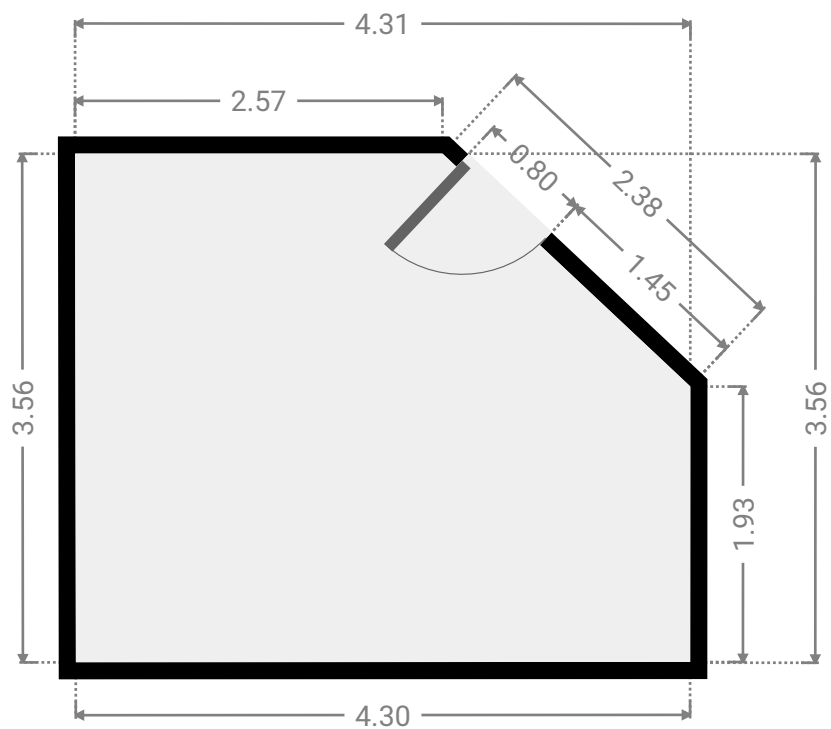
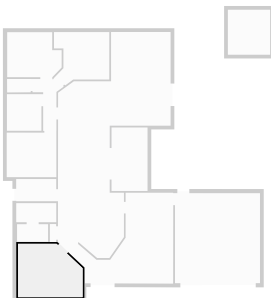
▼ **Closet**
Ground Floor

WIDTH: 0.42 m • LENGTH: 1.20 m
AREA: 0.50 m² • PERIMETER: 3.24 m



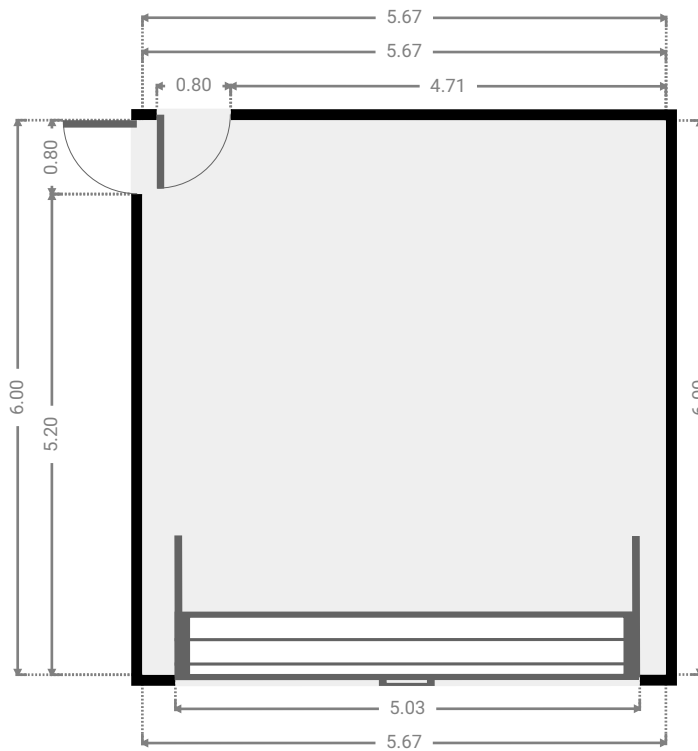
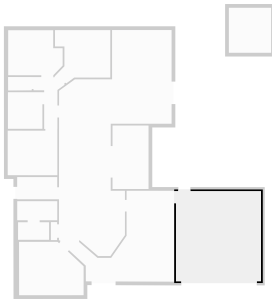
▼ **Master Bedroom**
Ground Floor

WIDTH: 4.31 m • LENGTH: 3.56 m
AREA: 13.90 m² • PERIMETER: 14.74 m



▼ **Garage**
Ground Floor

WIDTH: 5.67 m • LENGTH: 6.00 m
AREA: 34.03 m² • PERIMETER: 23.34 m



▼ **Ground Floor**

WIDTH: 2.82 m • LENGTH: 3.00 m
AREA: 8.46 m² • PERIMETER: 11.64 m

