

# 7 Bryce Court

**SUBMITTED BY**

Ray White Rockhampton Casey  
stockers@cqoz.com

---

**CREATED ON**

2020-05-05

---

**Floors**

1

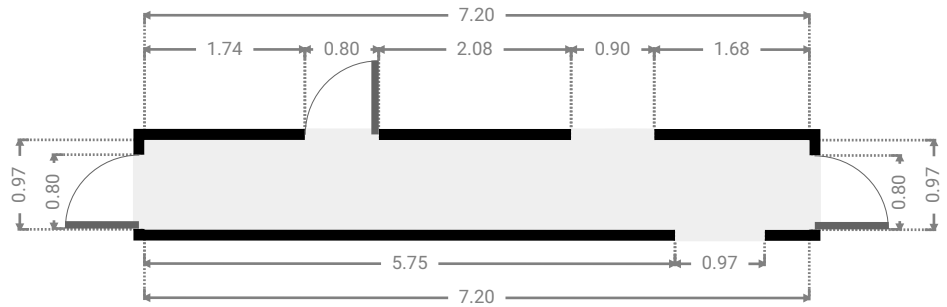
---

## ▼ Ground Floor



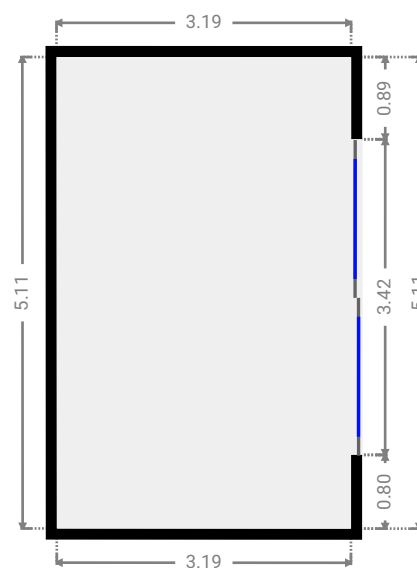
## ▼ Hall Ground Floor

WIDTH: 7.20 m • LENGTH: 0.97 m  
AREA: 6.98 m<sup>2</sup> • PERIMETER: 16.34 m



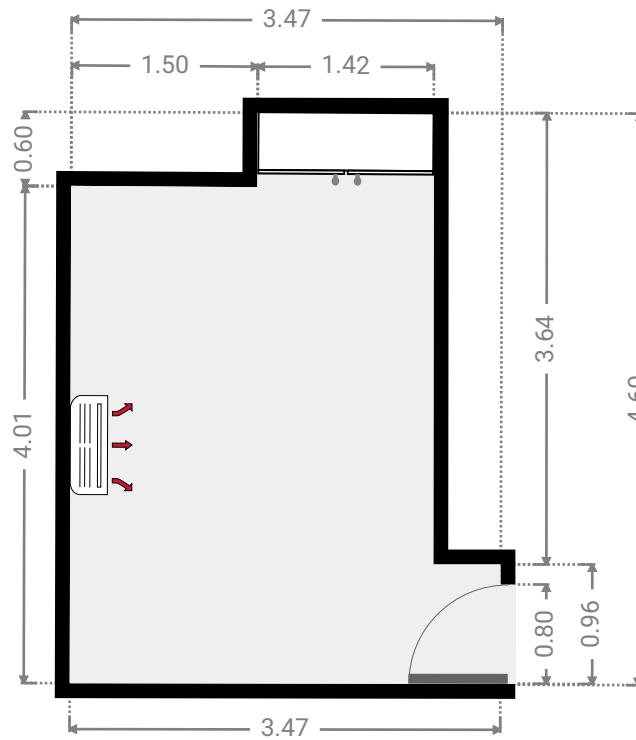
## ▼ Other Ground Floor

WIDTH: 3.19 m • LENGTH: 5.11 m  
AREA: 16.28 m<sup>2</sup> • PERIMETER: 16.59 m



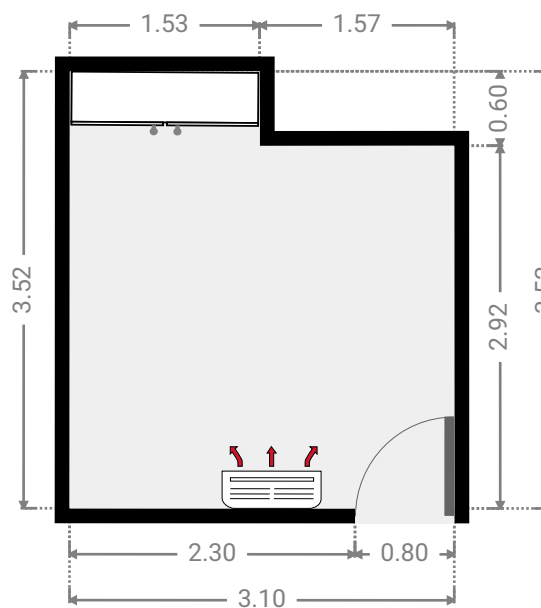
## ▼ Bedroom Ground Floor

WIDTH: 3.47 m • LENGTH: 4.60 m  
AREA: 13.08 m<sup>2</sup> • PERIMETER: 16.14 m



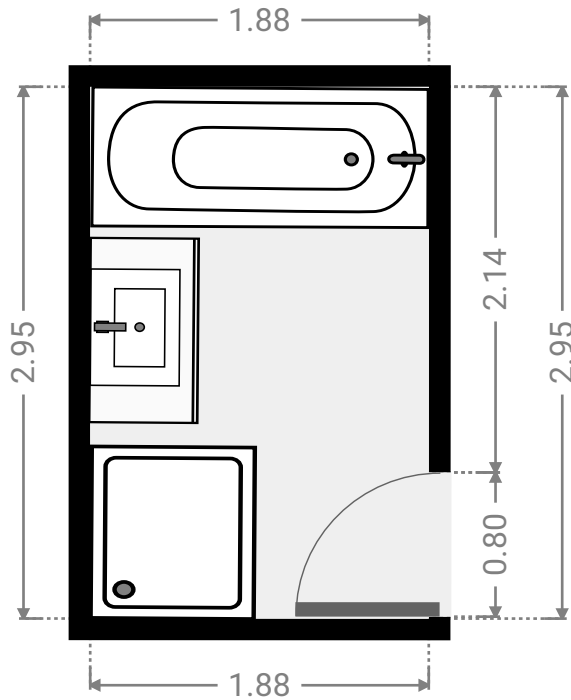
## ▼ Bedroom Ground Floor

WIDTH: 3.10 m • LENGTH: 3.52 m  
AREA: 9.97 m<sup>2</sup> • PERIMETER: 13.24 m



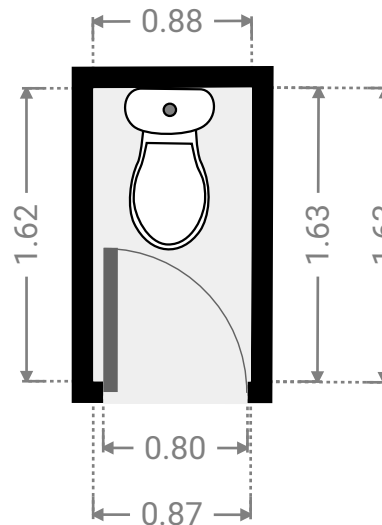
## ▼ Bathroom Ground Floor

WIDTH: 1.88 m • LENGTH: 2.95 m  
AREA: 5.54 m<sup>2</sup> • PERIMETER: 9.66 m



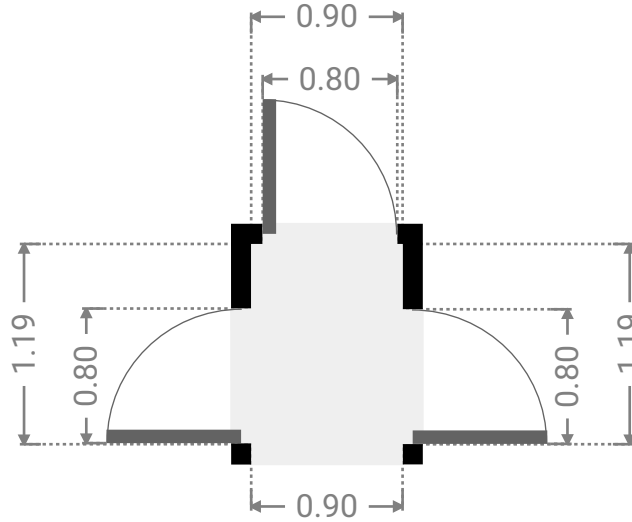
## ▼ Toilet Ground Floor

WIDTH: 0.88 m • LENGTH: 1.63 m  
AREA: 1.43 m<sup>2</sup> • PERIMETER: 5.01 m



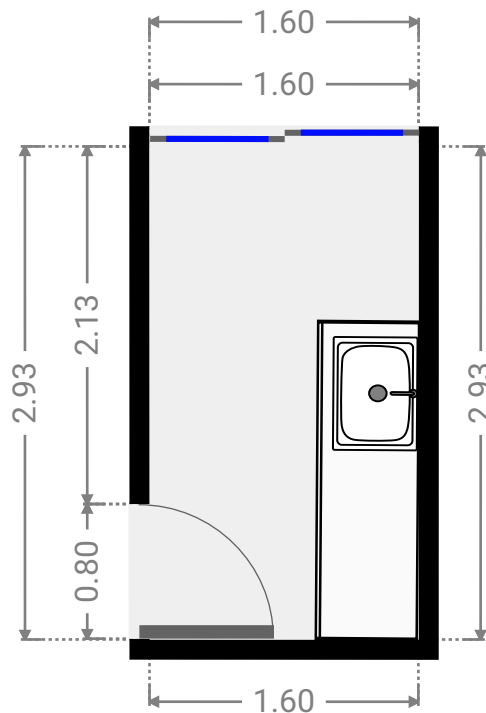
## ▼ Hall Ground Floor

WIDTH: 0.90 m • LENGTH: 1.19 m  
AREA: 1.07 m<sup>2</sup> • PERIMETER: 4.18 m



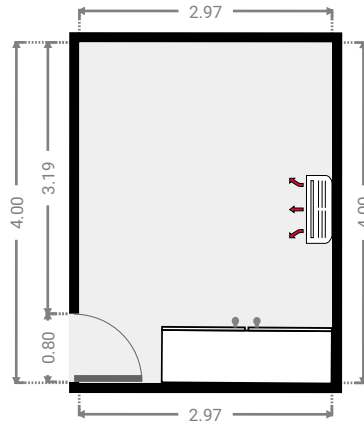
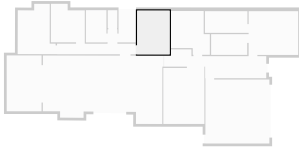
## ▼ Laundry Room Ground Floor

WIDTH: 1.60 m • LENGTH: 2.93 m  
AREA: 4.68 m<sup>2</sup> • PERIMETER: 9.06 m



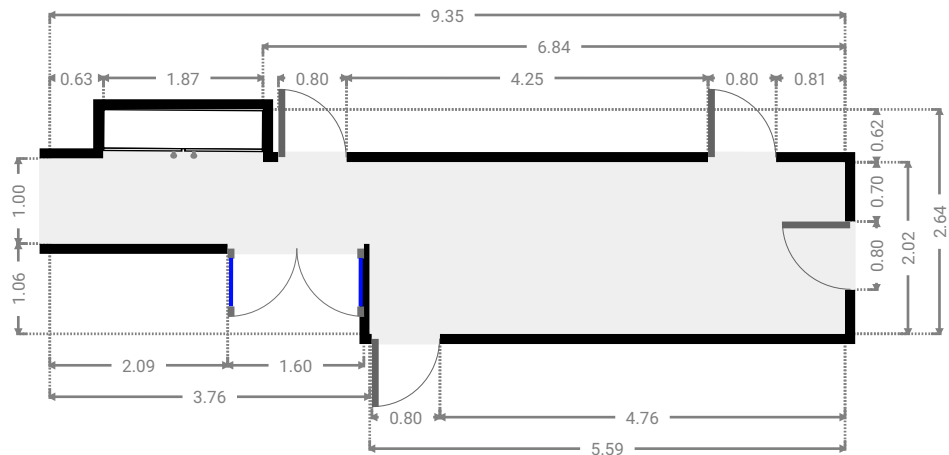
## ▼ Bedroom Ground Floor

WIDTH: 2.97 m • LENGTH: 4.00 m  
AREA: 11.88 m<sup>2</sup> • PERIMETER: 13.94 m



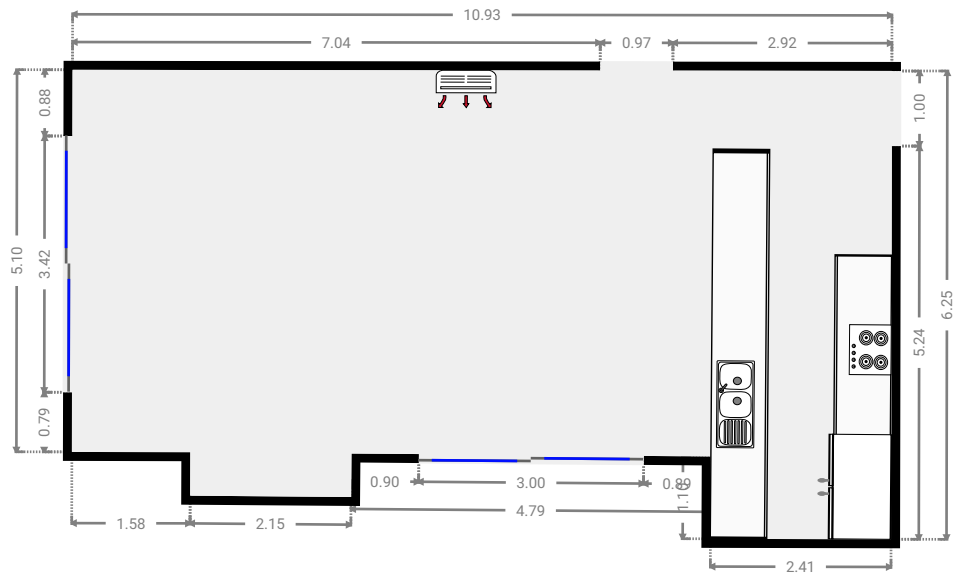
## ▼ Other Ground Floor

WIDTH: 9.35 m • LENGTH: 2.64 m  
AREA: 16.06 m<sup>2</sup> • PERIMETER: 23.97 m



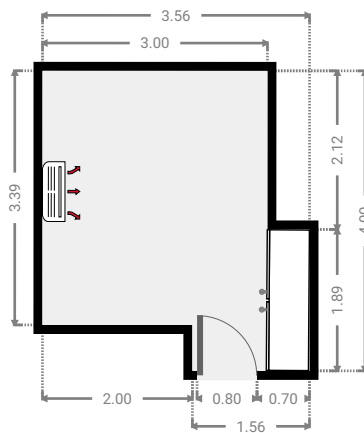
## ▼ Kitchen Ground Floor

WIDTH: 10.93 m • LENGTH: 6.25 m  
AREA: 59.89 m<sup>2</sup> • PERIMETER: 35.46 m



## ▼ Bedroom Ground Floor

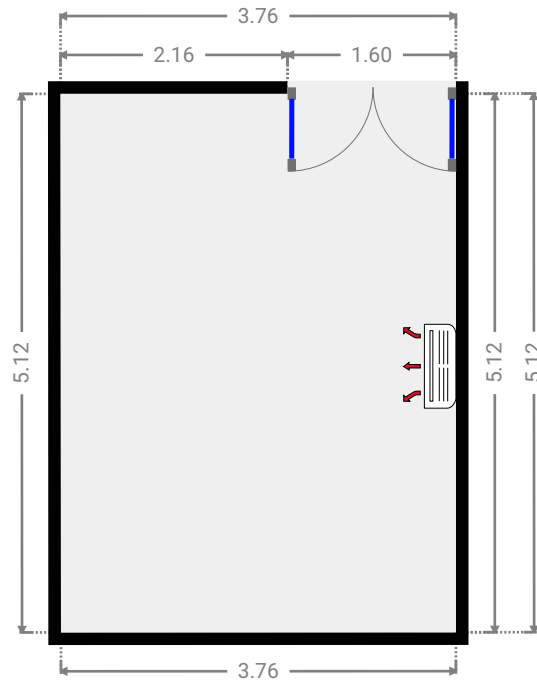
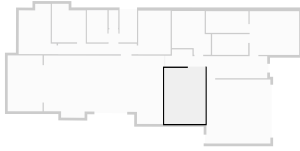
WIDTH: 3.56 m • LENGTH: 4.00 m  
AREA: 11.84 m<sup>2</sup> • PERIMETER: 15.13 m





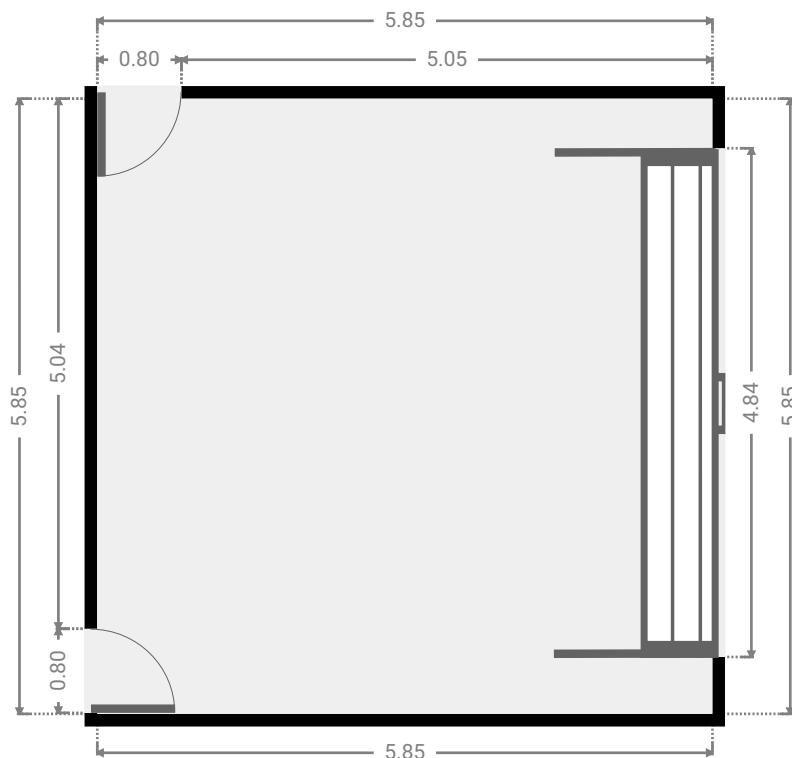
## ▼ Living Room Ground Floor

WIDTH: 3.76 m • LENGTH: 5.12 m  
AREA: 19.24 m<sup>2</sup> • PERIMETER: 17.76 m



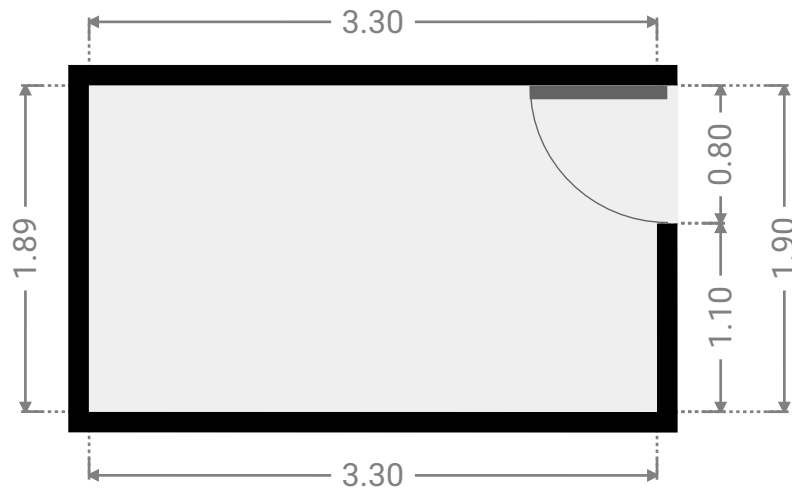
## ▼ Garage Ground Floor

WIDTH: 5.85 m • LENGTH: 5.85 m  
AREA: 34.22 m<sup>2</sup> • PERIMETER: 23.40 m



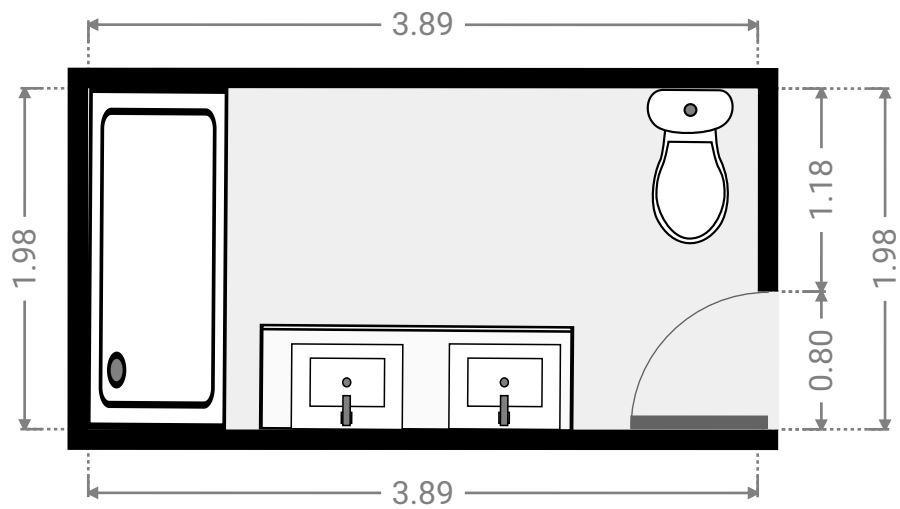
## ▼ Closet Ground Floor

WIDTH: 3.30 m • LENGTH: 1.90 m  
AREA: 6.25 m<sup>2</sup> • PERIMETER: 10.39 m



## ▼ Bathroom Ground Floor

WIDTH: 3.89 m • LENGTH: 1.98 m  
AREA: 7.70 m<sup>2</sup> • PERIMETER: 11.74 m



## ▼ Primary Bedroom Ground Floor

WIDTH: 4.53 m • LENGTH: 4.00 m  
AREA: 18.12 m<sup>2</sup> • PERIMETER: 17.06 m

