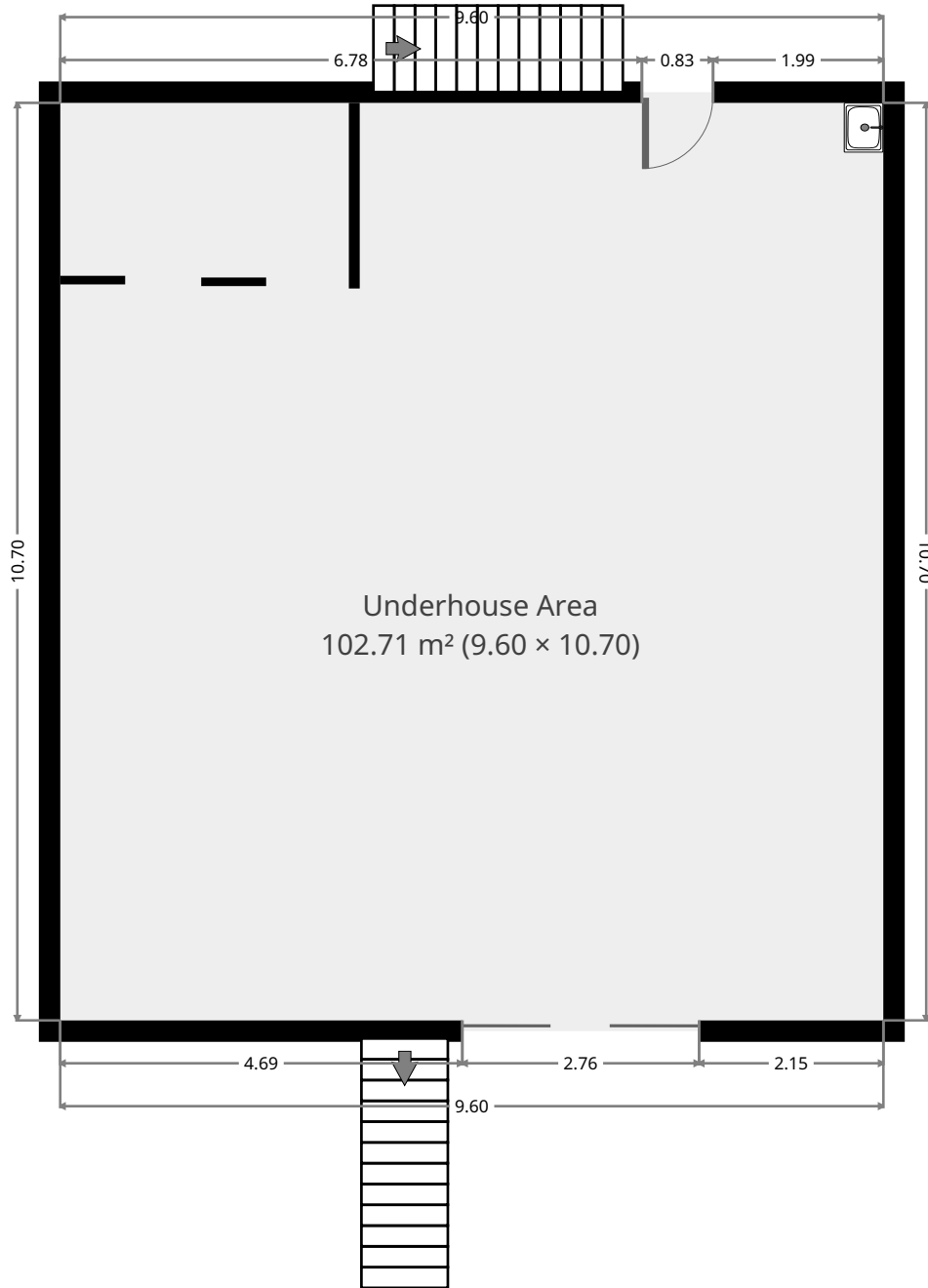


24 Pilkington Street

Ground Floor



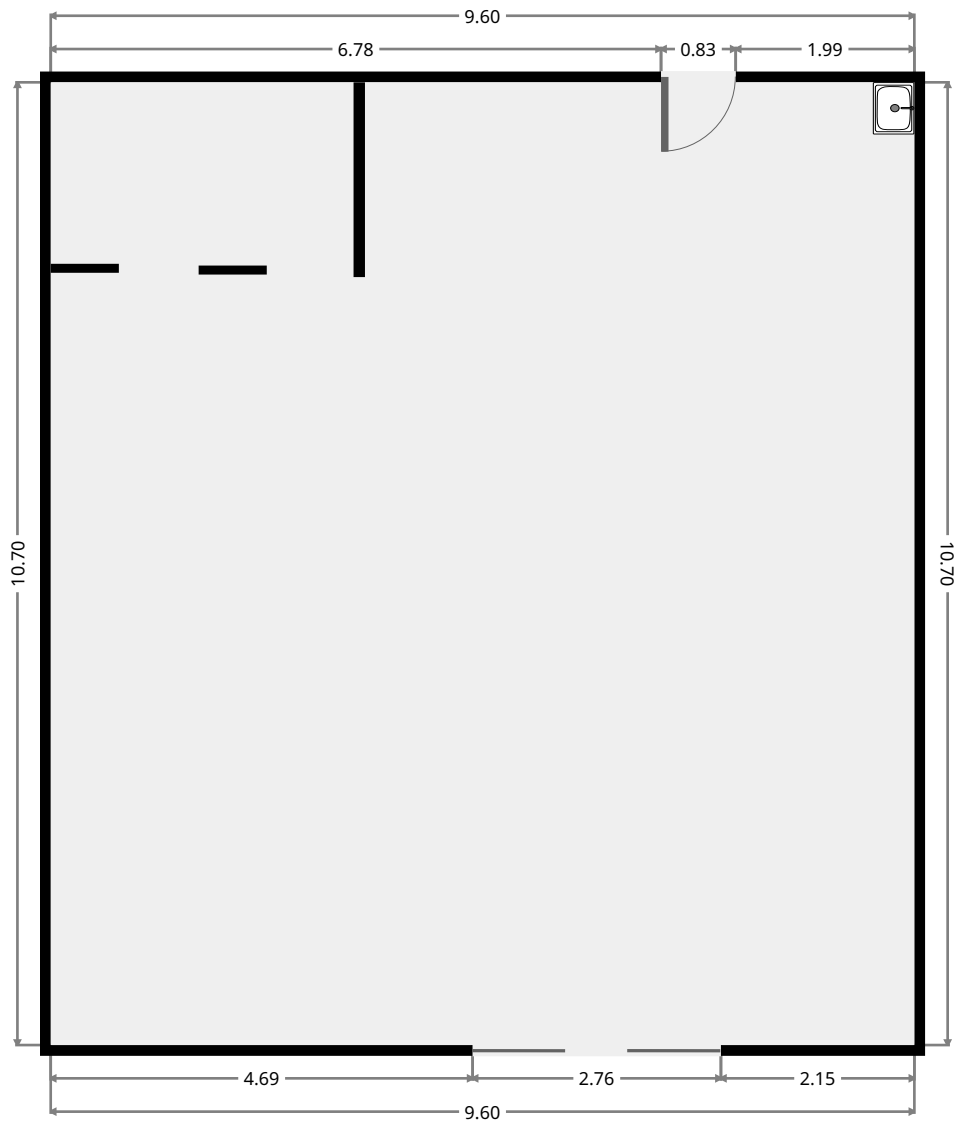
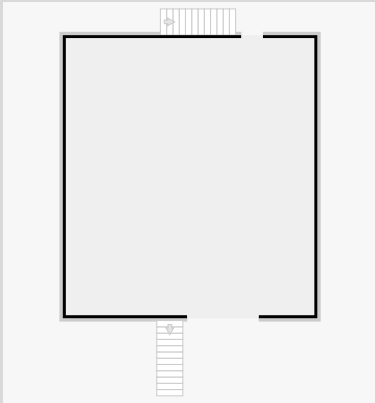
THIS FLOORPLAN IS PROVIDED WITHOUT WARRANTY OF ANY KIND. SENSOPIA DISCLAIMS ANY WARRANTY INCLUDING, WITHOUT LIMITATION, SATISFACTORY QUALITY OR ACCURACY OF DIMENSIONS.



24 Pilkington Street

Underhouse Area

Width: 9.60 m
Length: 10.70 m
Area: 102.71 m²
Perimeter: 40.60 m

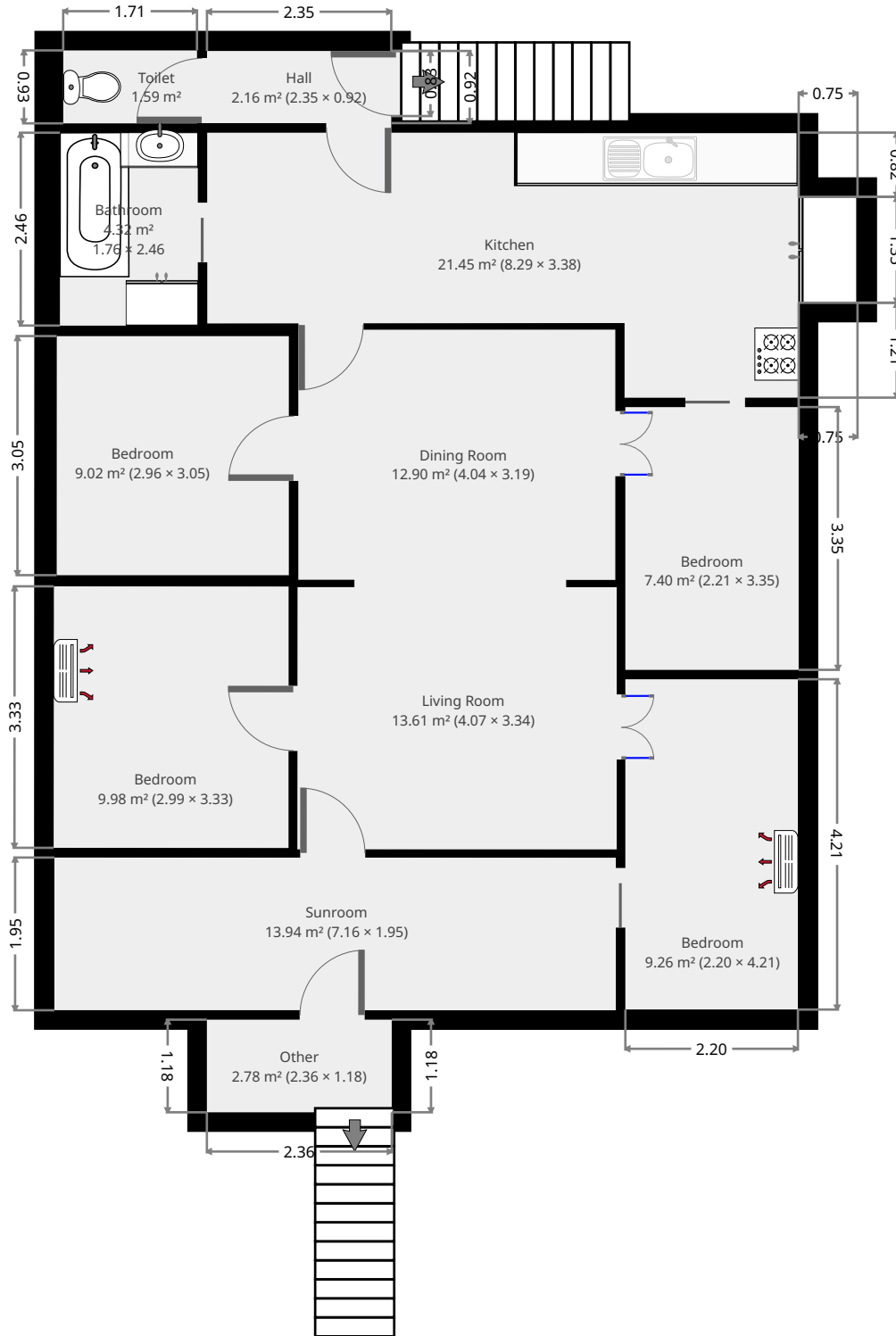


THIS FLOORPLAN IS PROVIDED WITHOUT WARRANTY OF ANY KIND. SENSOPIA DISCLAIMS ANY WARRANTY INCLUDING, WITHOUT LIMITATION, SATISFACTORY QUALITY OR ACCURACY OF DIMENSIONS.



24 Pilkington Street

1st Floor



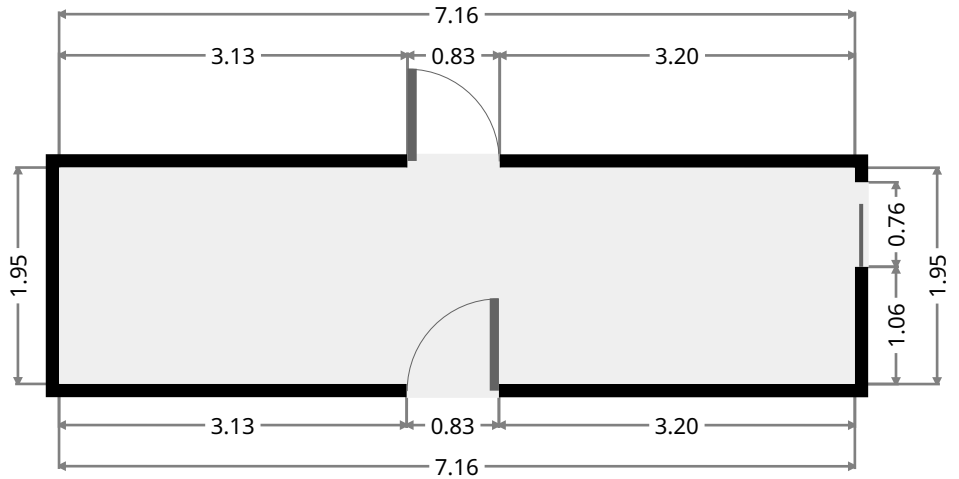
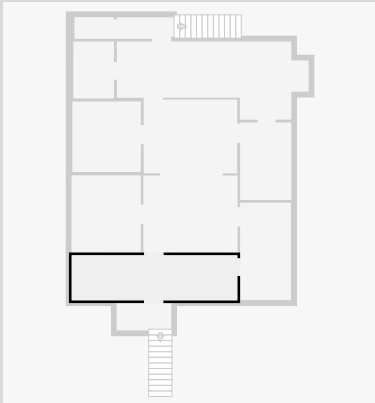
THIS FLOORPLAN IS PROVIDED WITHOUT WARRANTY OF ANY KIND. SENSOPIA DISCLAIMS ANY WARRANTY INCLUDING, WITHOUT LIMITATION, SATISFACTORY QUALITY OR ACCURACY OF DIMENSIONS.



24 Pilkington Street

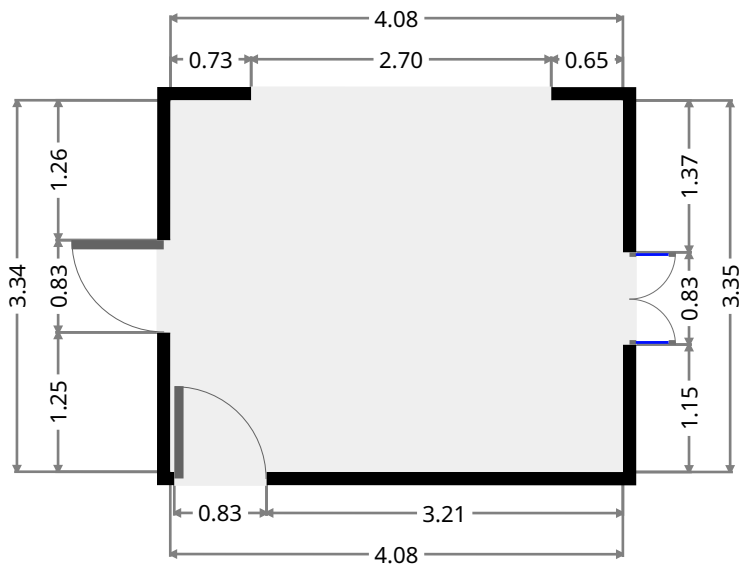
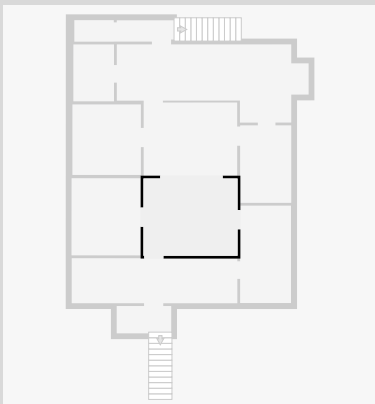
Sunroom

Width: 1.95 m
 Length: 7.16 m
 Area: 13.94 m²
 Perimeter: 18.22 m



Living Room

Width: 3.34 m
 Length: 4.07 m
 Area: 13.61 m²
 Perimeter: 14.83 m



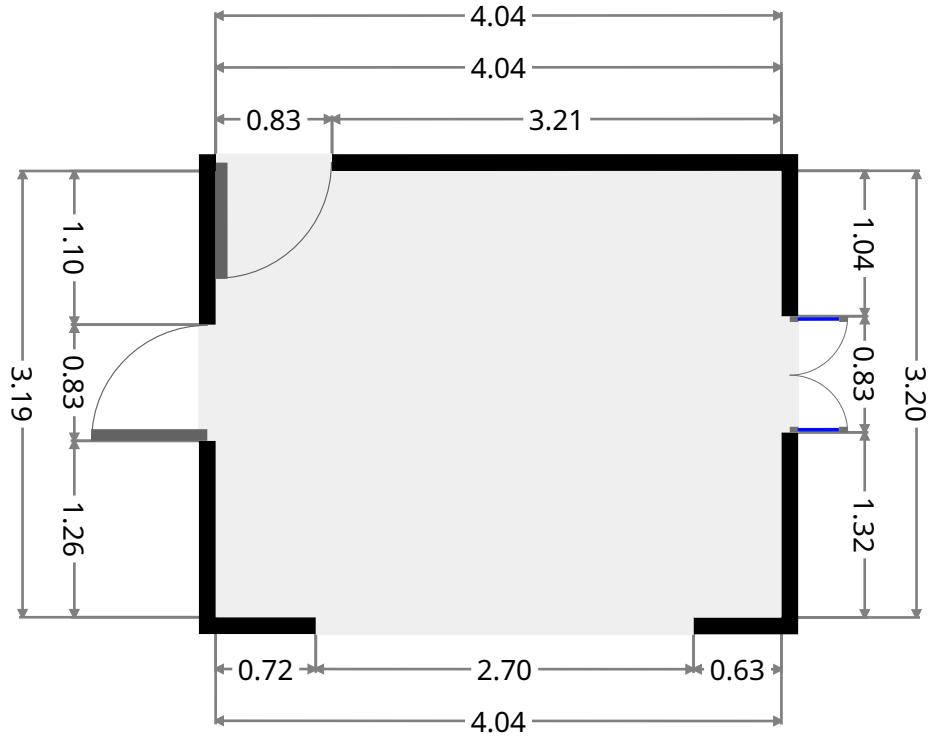
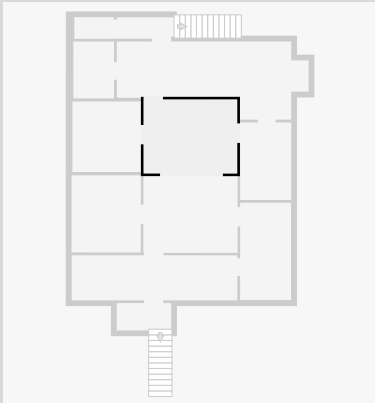
THIS FLOORPLAN IS PROVIDED WITHOUT WARRANTY OF ANY KIND. SENSOPIA DISCLAIMS ANY WARRANTY INCLUDING, WITHOUT LIMITATION, SATISFACTORY QUALITY OR ACCURACY OF DIMENSIONS.



24 Pilkington Street

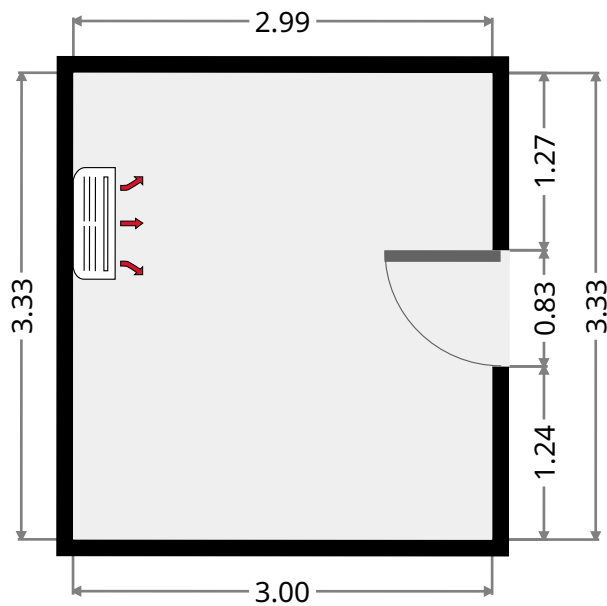
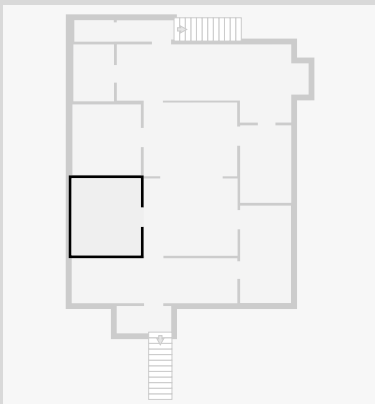
Dining Room

Width: 3.19 m
 Length: 4.04 m
 Area: 12.90 m²
 Perimeter: 14.47 m



Bedroom

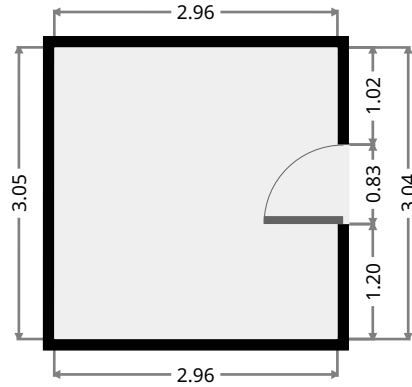
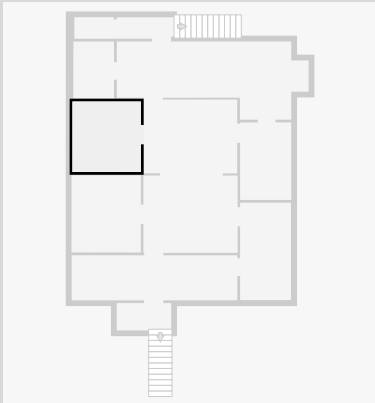
Width: 2.99 m
 Length: 3.33 m
 Area: 9.98 m²
 Perimeter: 12.66 m



24 Pilkington Street

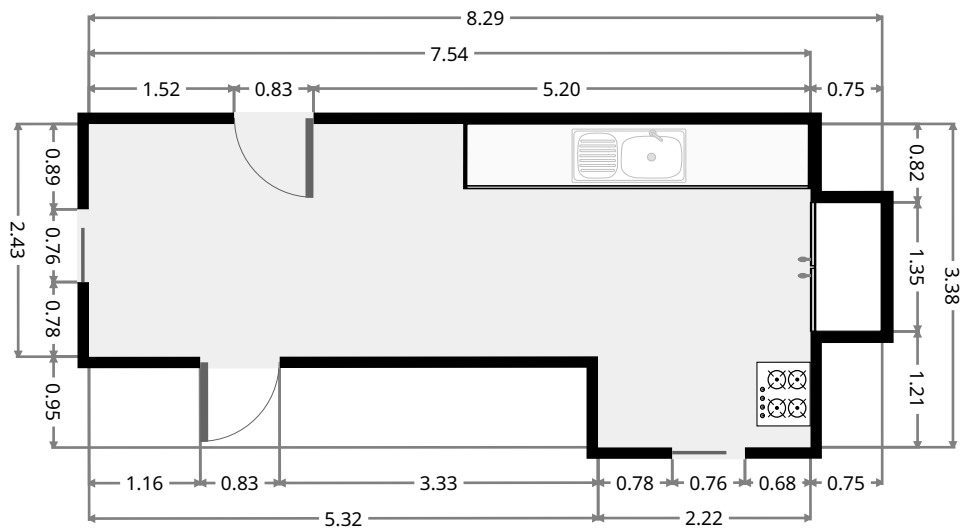
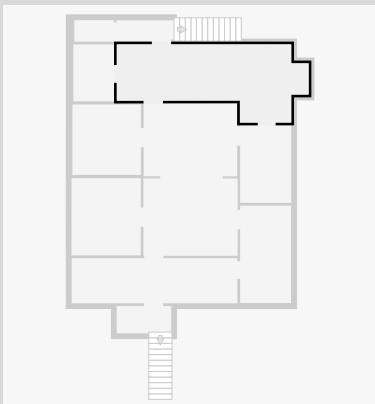
Bedroom

Width: 2.96 m
 Length: 3.05 m
 Area: 9.02 m²
 Perimeter: 12.02 m



Kitchen

Width: 3.38 m
 Length: 8.29 m
 Area: 21.45 m²
 Perimeter: 23.35 m

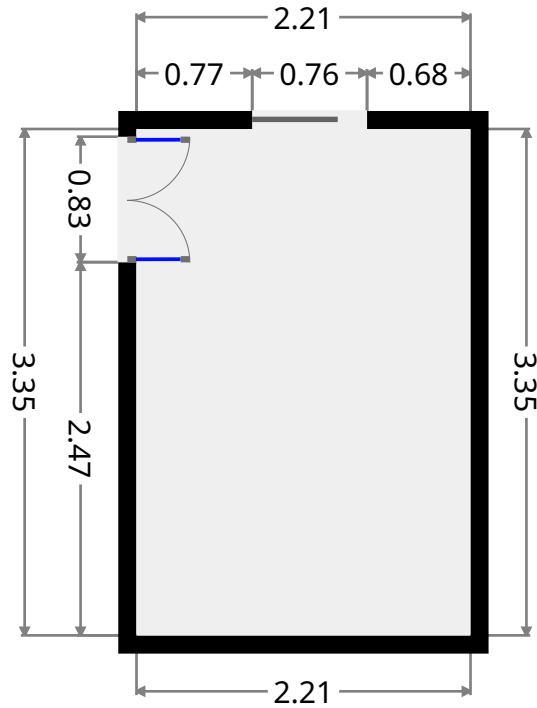
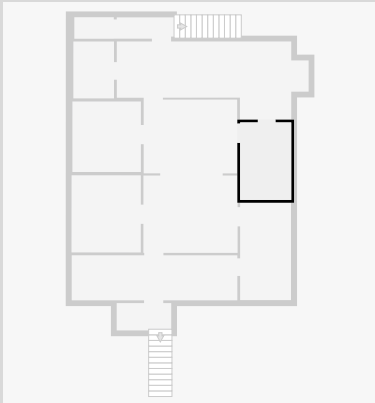


THIS FLOORPLAN IS PROVIDED WITHOUT WARRANTY OF ANY KIND. SENSOPIA DISCLAIMS ANY WARRANTY INCLUDING, WITHOUT LIMITATION, SATISFACTORY QUALITY OR ACCURACY OF DIMENSIONS.

24 Pilkington Street

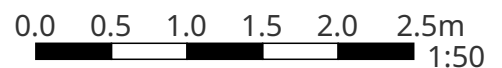
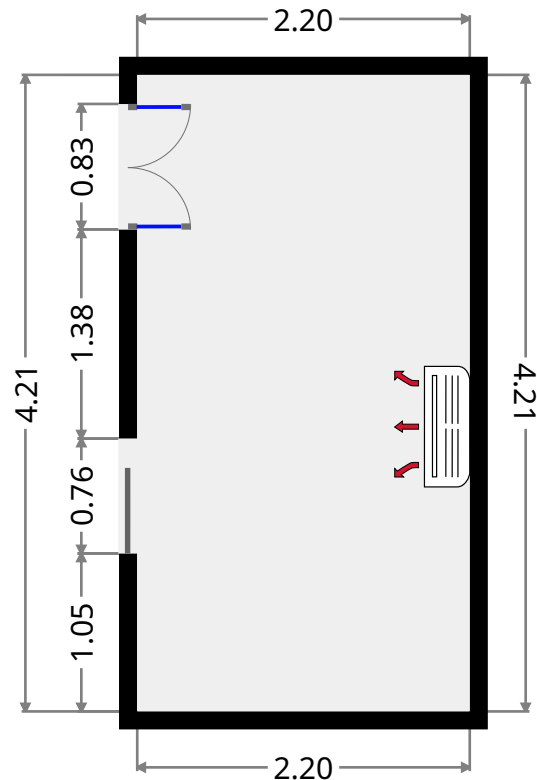
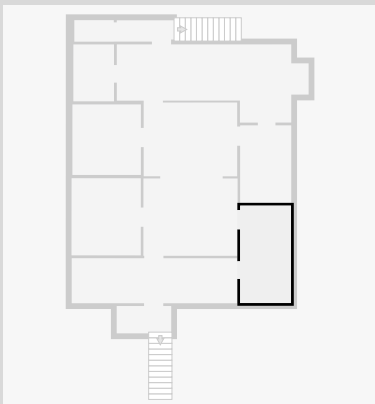
Bedroom

Width: 2.21 m
 Length: 3.35 m
 Area: 7.40 m²
 Perimeter: 11.12 m



Bedroom

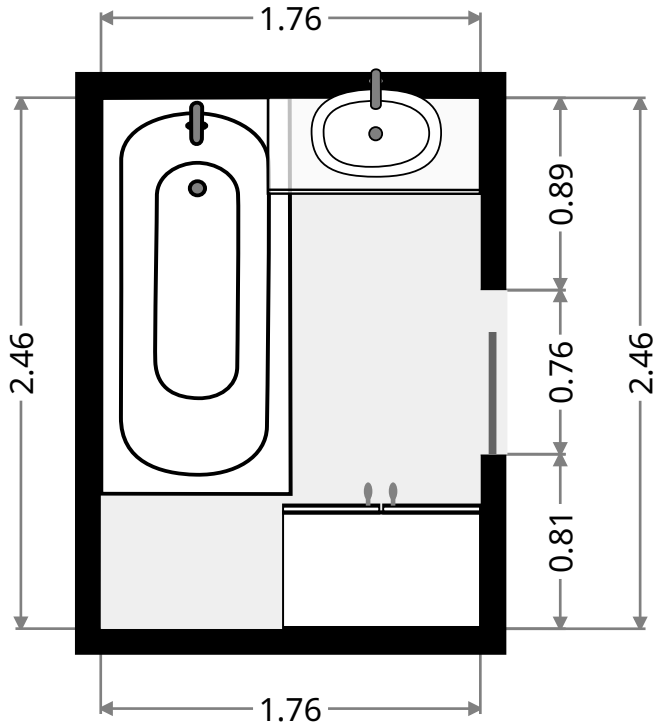
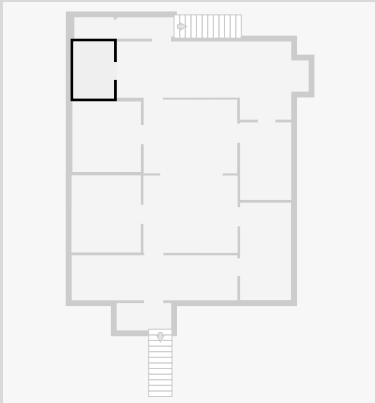
Width: 2.20 m
 Length: 4.21 m
 Area: 9.26 m²
 Perimeter: 12.82 m



24 Pilkington Street

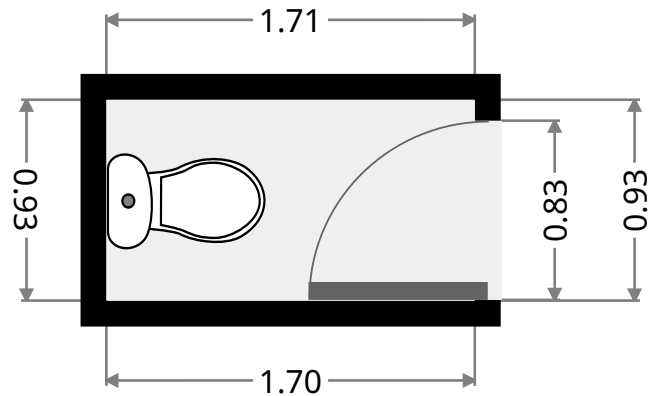
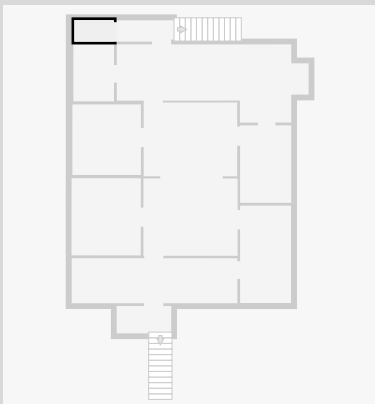
Bathroom

Width: 1.76 m
 Length: 2.46 m
 Area: 4.32 m²
 Perimeter: 8.43 m



Toilet / Half Bath

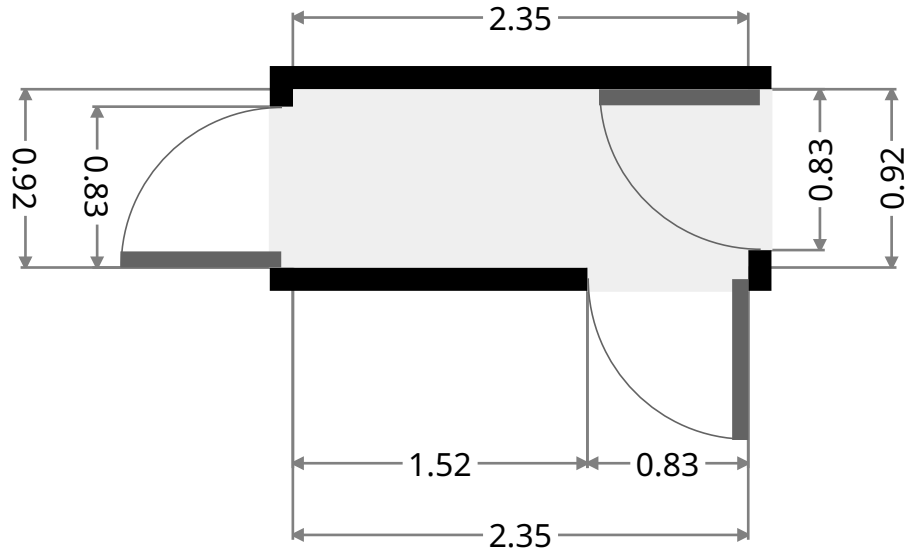
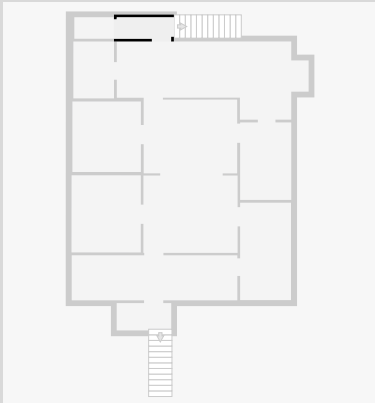
Width: 0.93 m
 Length: 1.71 m
 Area: 1.59 m²
 Perimeter: 5.27 m



24 Pilkington Street

Hall

Width: 0.92 m
Length: 2.35 m
Area: 2.16 m²
Perimeter: 6.54 m



Other

Width: 1.18 m
Length: 2.36 m
Area: 2.78 m²
Perimeter: 7.08 m

