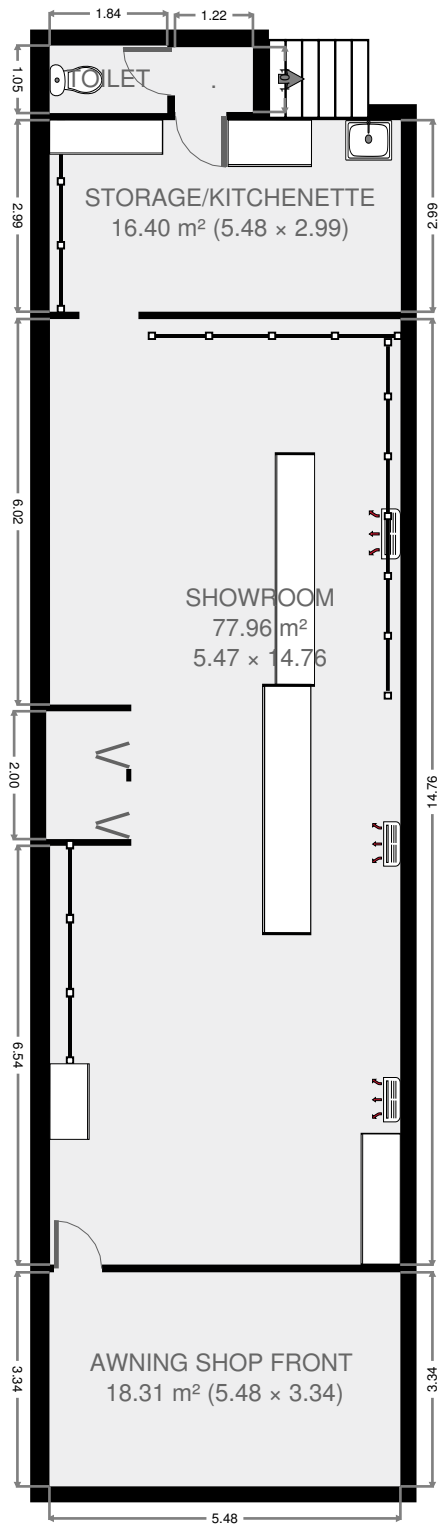
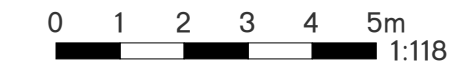


# Ground Floor



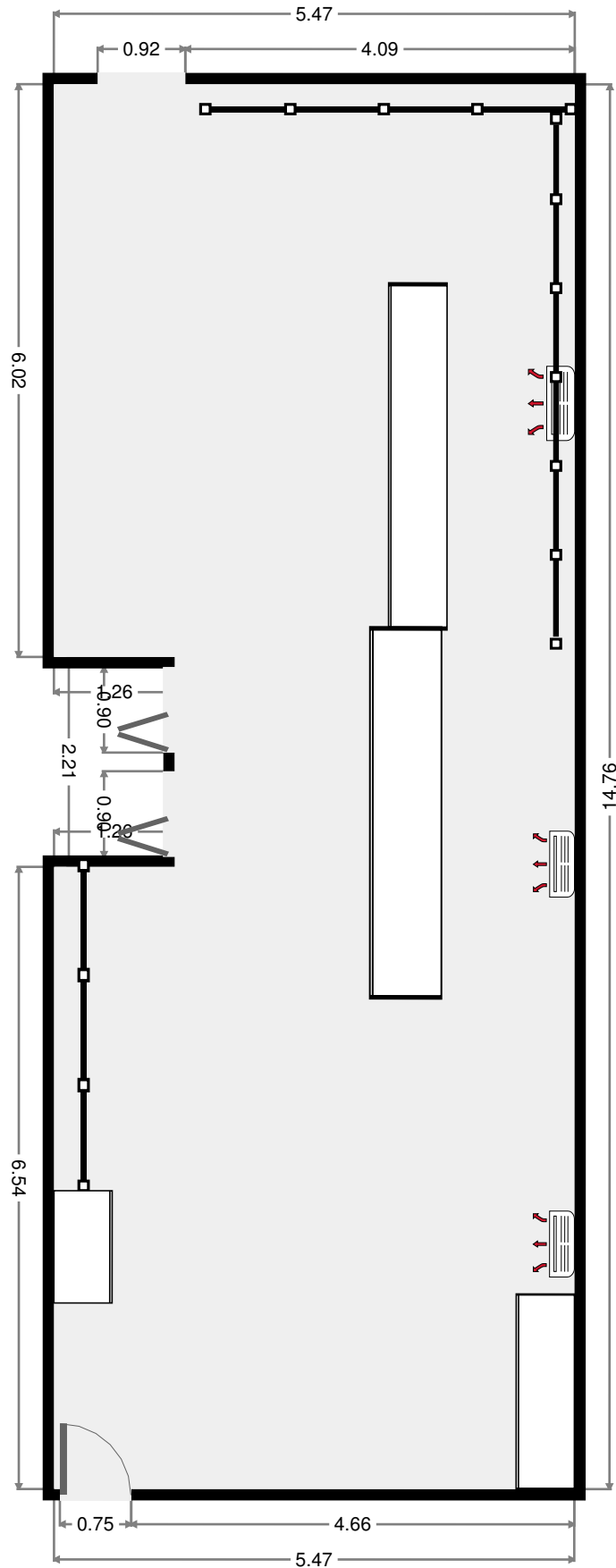
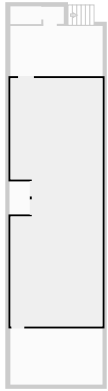
THIS FLOORPLAN IS PROVIDED WITHOUT WARRANTY OF ANY KIND. SENSOPIA DISCLAIMS ANY WARRANTY INCLUDING, WITHOUT LIMITATION, SATISFACTORY QUALITY OR ACCURACY OF DIMENSIONS.



## 176a Berserker Street - Prima Donna

# Showroom

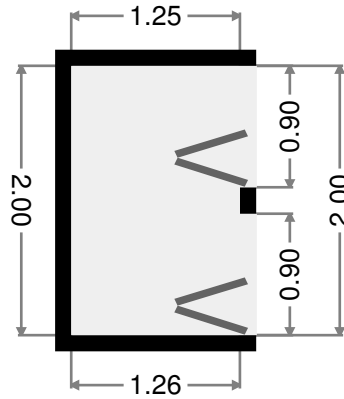
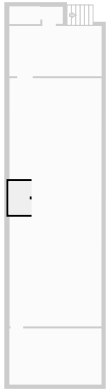
Width: 5.47 m  
 Length: 14.76 m  
 Area: 77.96 m<sup>2</sup>  
 Perimeter: 43.00 m



THIS FLOORPLAN IS PROVIDED WITHOUT WARRANTY OF ANY KIND. SENSOPIA DISCLAIMS ANY WARRANTY INCLUDING, WITHOUT LIMITATION, SATISFACTORY QUALITY OR ACCURACY OF DIMENSIONS.

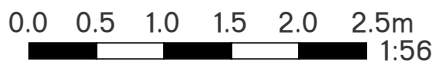
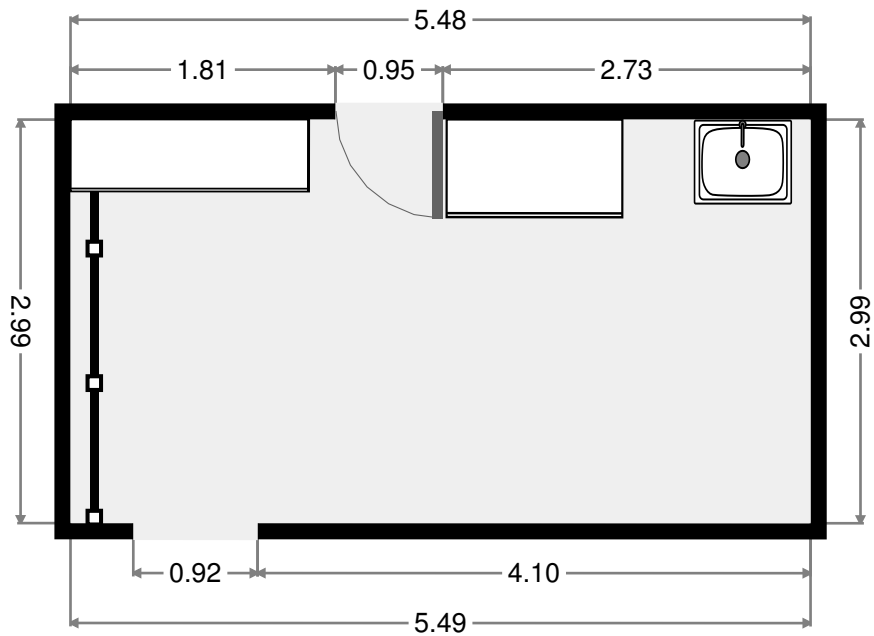
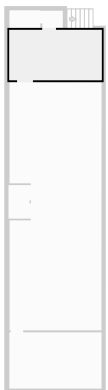
# Change Room

Width: 1.25 m  
 Length: 2.00 m  
 Area: 2.50 m<sup>2</sup>  
 Perimeter: 6.49 m



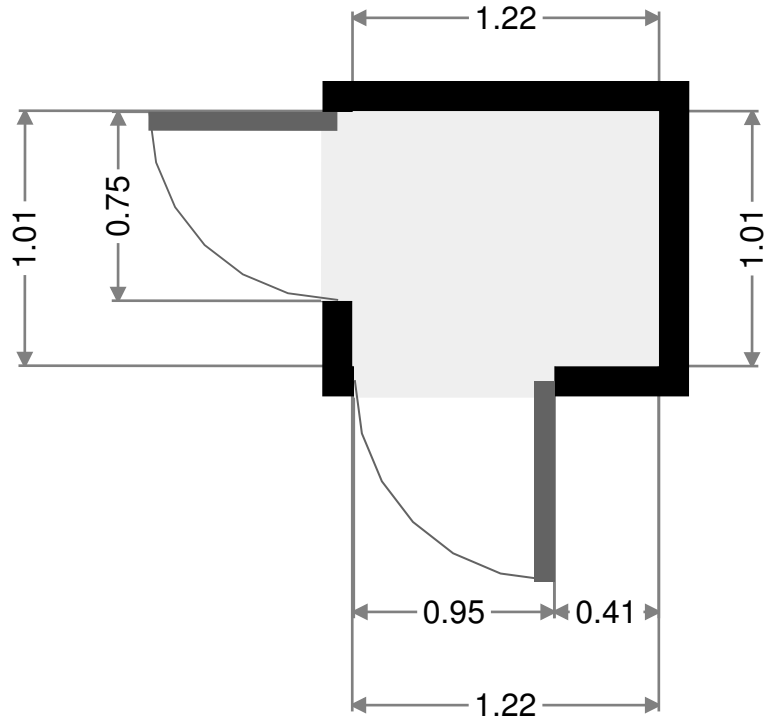
# Storage/Kitchenette

Width: 2.99 m  
 Length: 5.48 m  
 Area: 16.40 m<sup>2</sup>  
 Perimeter: 16.95 m



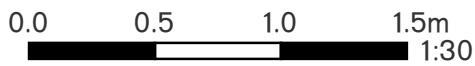
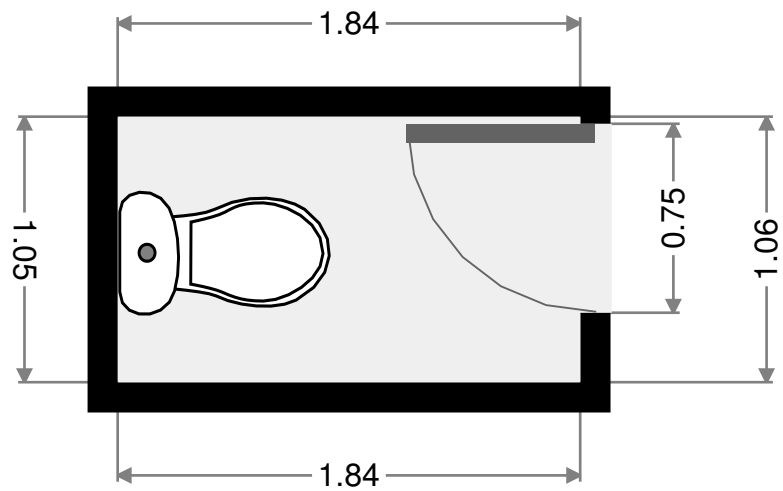
THIS FLOORPLAN IS PROVIDED WITHOUT WARRANTY OF ANY KIND. SENSOPIA DISCLAIMS ANY WARRANTY INCLUDING, WITHOUT LIMITATION, SATISFACTORY QUALITY OR ACCURACY OF DIMENSIONS.

- Width: 1.01 m  
 Length: 1.22 m  
 Area: 1.23 m<sup>2</sup>  
 Perimeter: 4.46 m



## Toilet

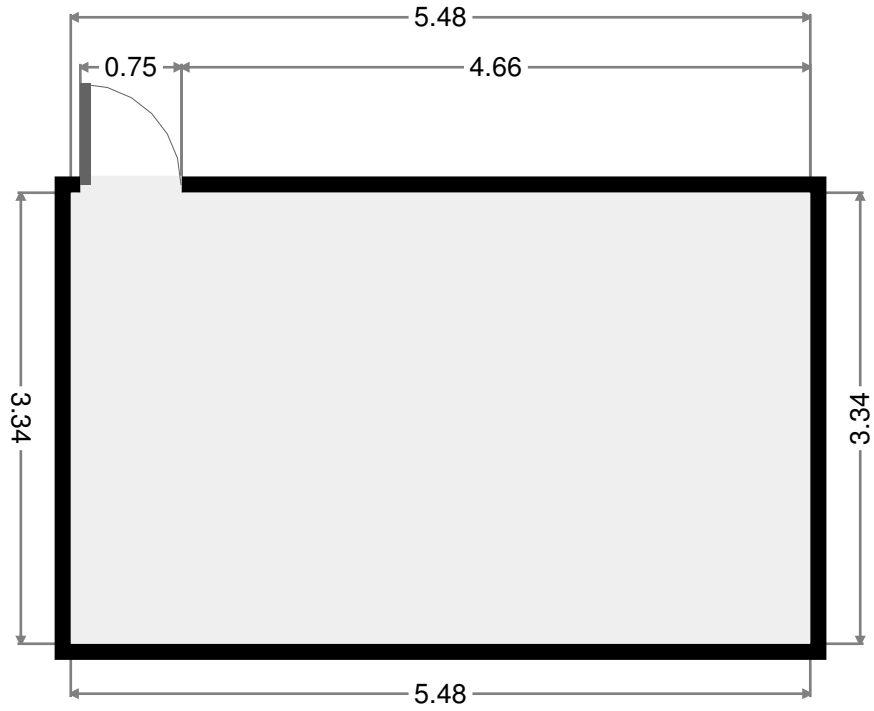
- Width: 1.06 m  
 Length: 1.84 m  
 Area: 1.94 m<sup>2</sup>  
 Perimeter: 5.78 m



THIS FLOORPLAN IS PROVIDED WITHOUT WARRANTY OF ANY KIND. SENSOPIA DISCLAIMS ANY WARRANTY INCLUDING, WITHOUT LIMITATION, SATISFACTORY QUALITY OR ACCURACY OF DIMENSIONS.

# Awning Shop Front

Width: 3.34 m  
Length: 5.48 m  
Area: 18.31 m<sup>2</sup>  
Perimeter: 17.64 m



THIS FLOORPLAN IS PROVIDED WITHOUT WARRANTY OF ANY KIND. SENSOPIA DISCLAIMS ANY WARRANTY INCLUDING, WITHOUT LIMITATION, SATISFACTORY QUALITY OR ACCURACY OF DIMENSIONS.

