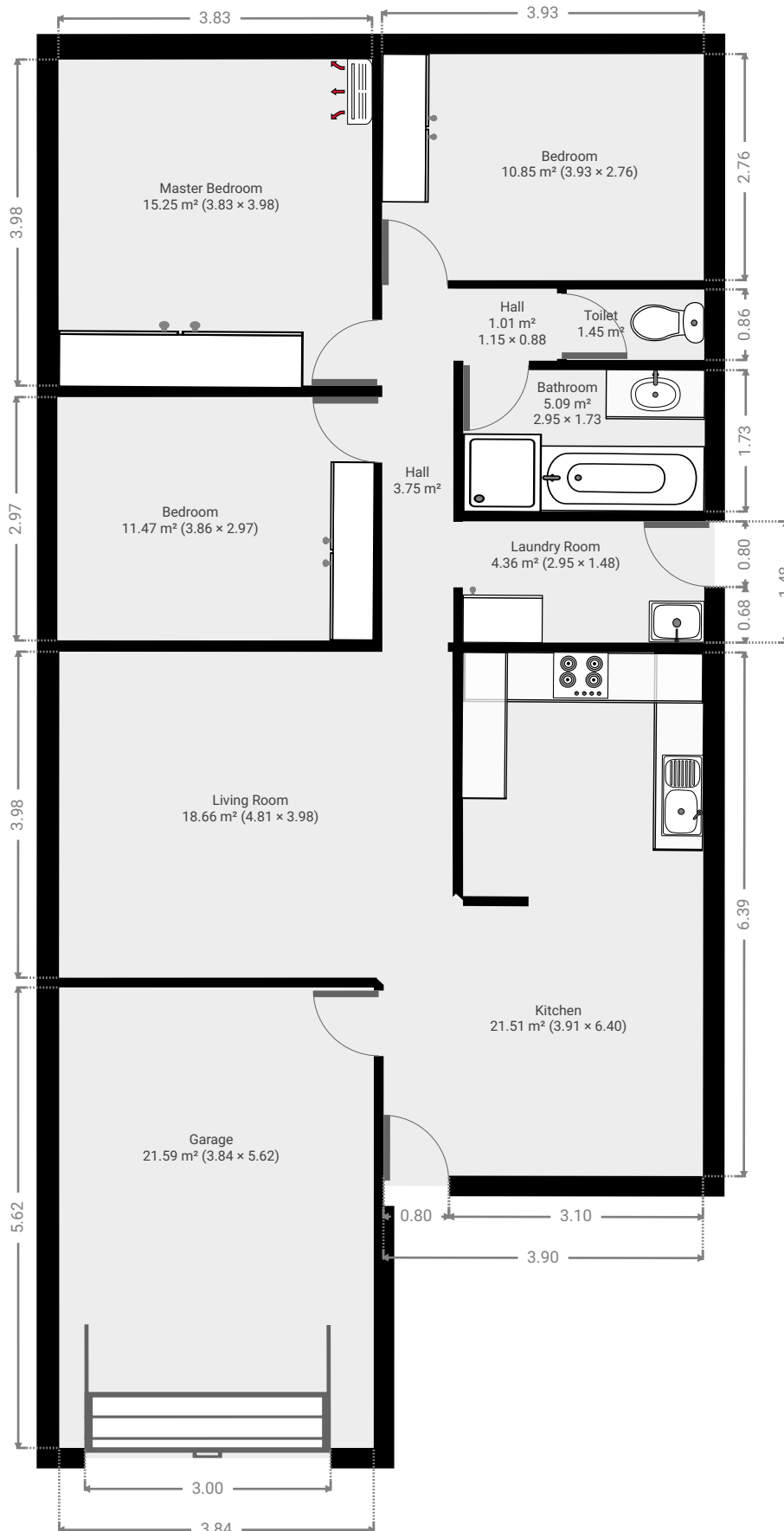


# 16 Arlott Street

Created on  
2021-05-04

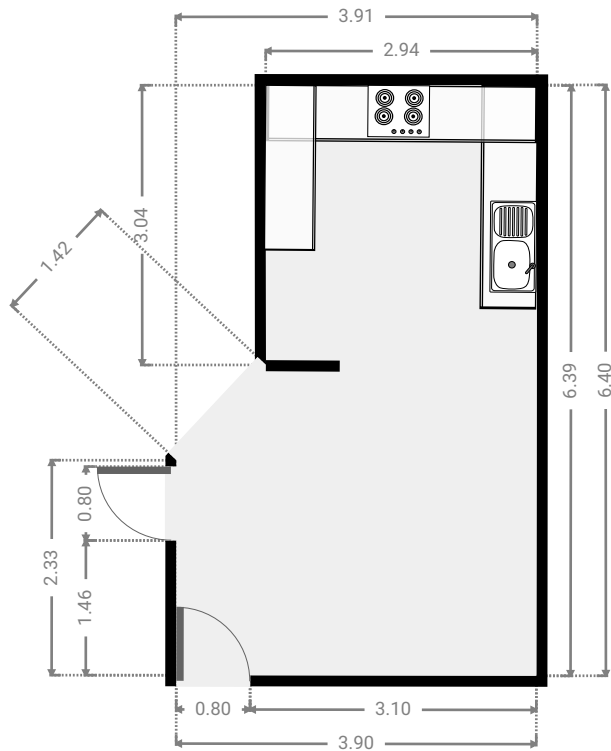
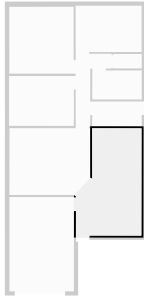
Floors  
1

▼ Ground Floor



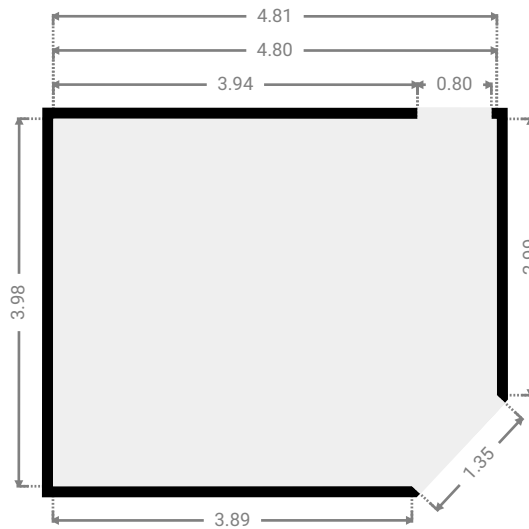
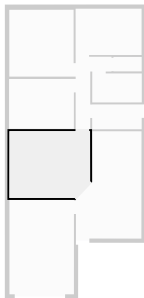
▼ Kitchen  
Ground Floor

WIDTH: 3.91 m • LENGTH: 6.40 m  
AREA: 21.51 m<sup>2</sup> • PERIMETER: 20.01 m



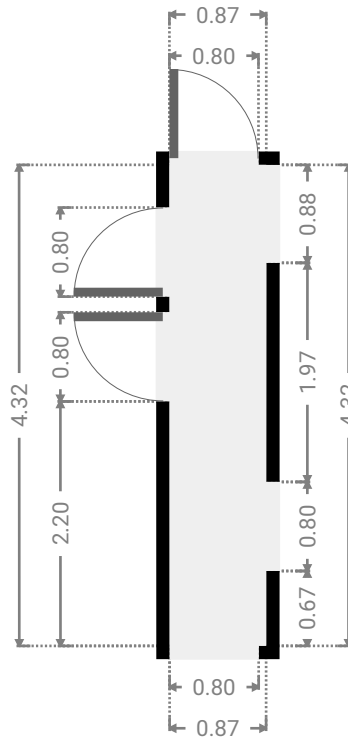
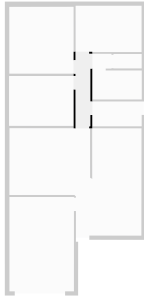
▼ Living Room  
Ground Floor

WIDTH: 4.81 m • LENGTH: 3.98 m  
AREA: 18.66 m<sup>2</sup> • PERIMETER: 17.01 m



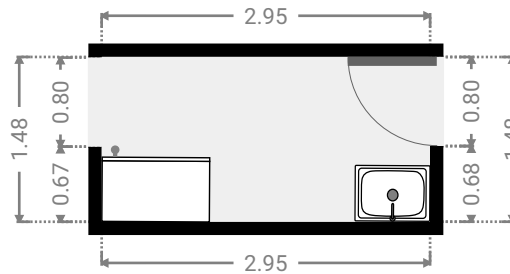
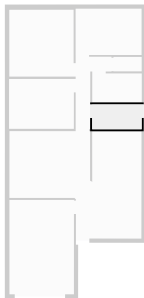
▼ Hall  
Ground Floor

WIDTH: 0.87 m • LENGTH: 4.32 m  
AREA: 3.75 m<sup>2</sup> • PERIMETER: 10.38 m



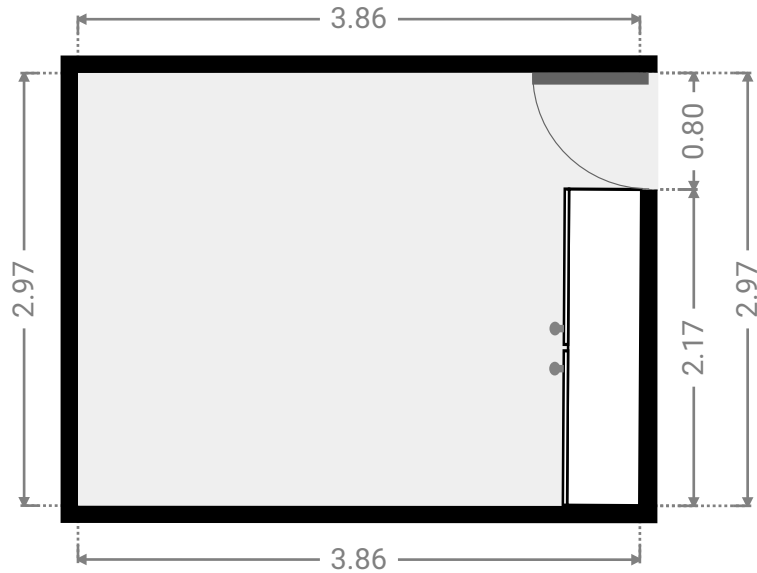
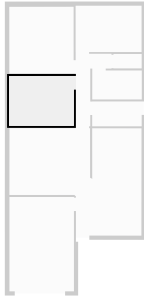
▼ Laundry Room  
Ground Floor

WIDTH: 2.95 m • LENGTH: 1.48 m  
AREA: 4.36 m<sup>2</sup> • PERIMETER: 8.86 m



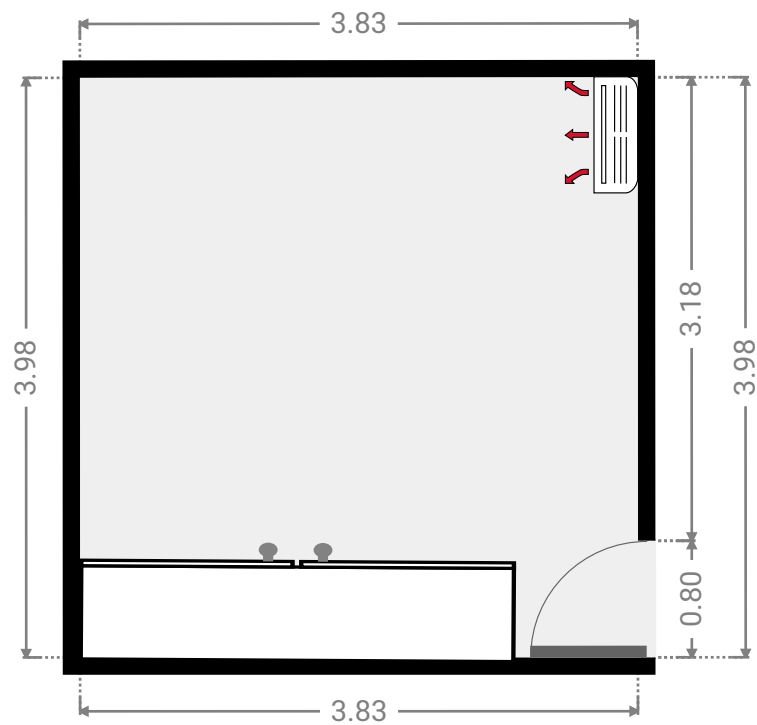
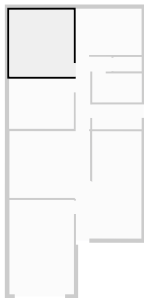
▼ **Bedroom**  
Ground Floor

WIDTH: 3.86 m • LENGTH: 2.97 m  
AREA: 11.47 m<sup>2</sup> • PERIMETER: 13.66 m



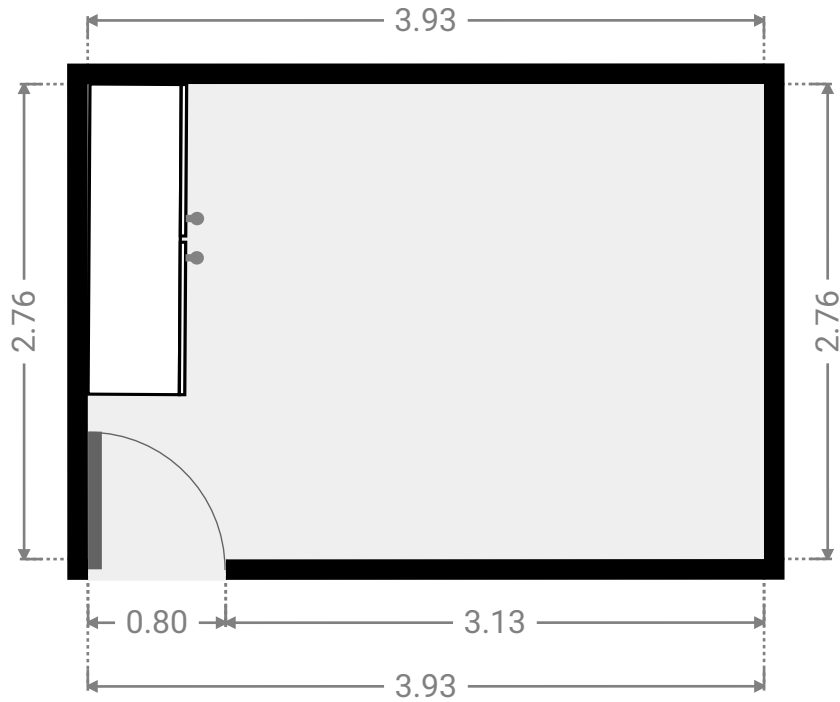
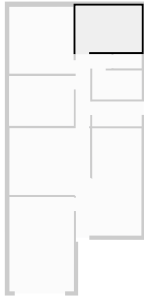
▼ **Master Bedroom**  
Ground Floor

WIDTH: 3.83 m • LENGTH: 3.98 m  
AREA: 15.25 m<sup>2</sup> • PERIMETER: 15.63 m



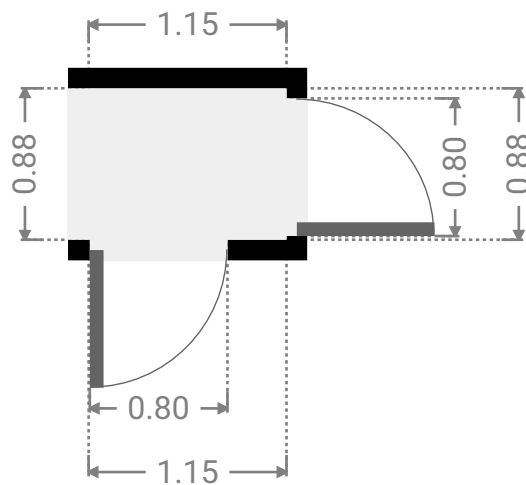
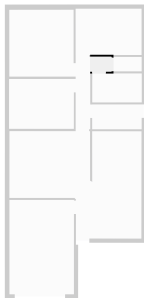
▼ **Bedroom**  
Ground Floor

WIDTH: 3.93 m • LENGTH: 2.76 m  
AREA: 10.85 m<sup>2</sup> • PERIMETER: 13.38 m



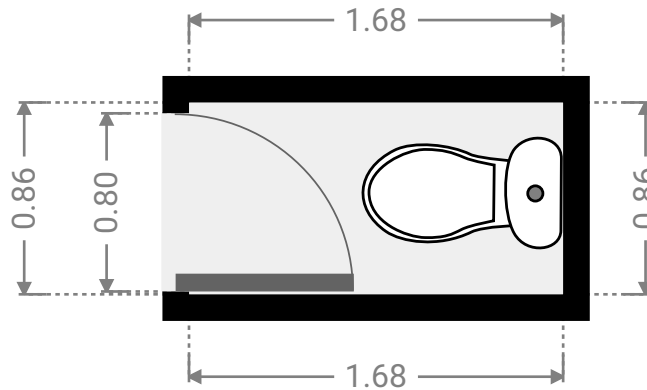
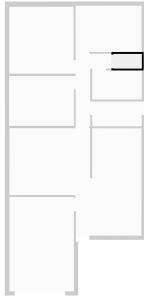
▼ **Hall**  
Ground Floor

WIDTH: 1.15 m • LENGTH: 0.88 m  
AREA: 1.01 m<sup>2</sup> • PERIMETER: 4.06 m



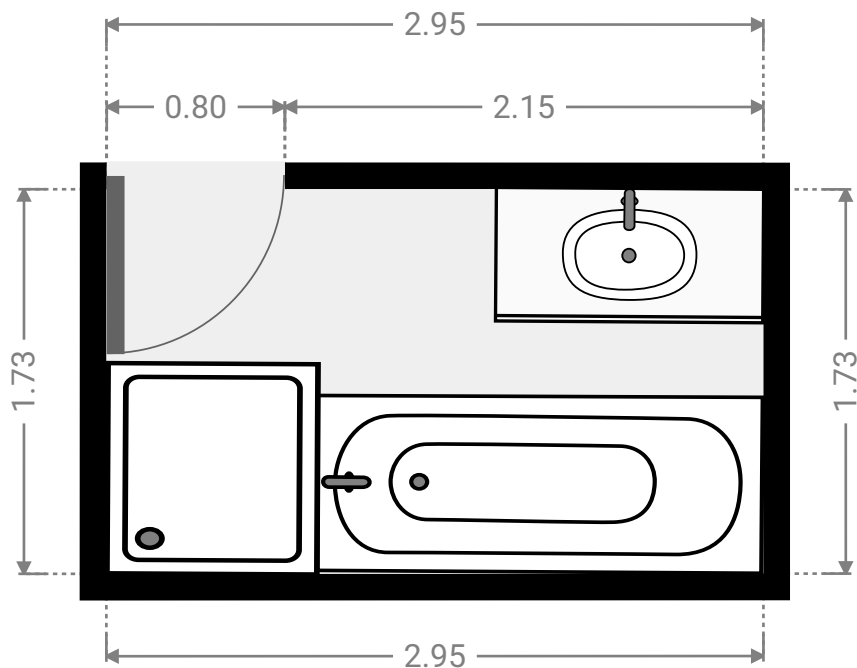
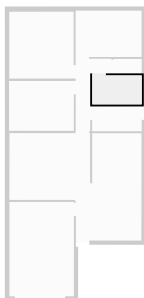
▼ Toilet  
Ground Floor

WIDTH: 1.68 m • LENGTH: 0.86 m  
AREA: 1.45 m<sup>2</sup> • PERIMETER: 5.08 m



▼ Bathroom  
Ground Floor

WIDTH: 2.95 m • LENGTH: 1.73 m  
AREA: 5.09 m<sup>2</sup> • PERIMETER: 9.35 m



▼ **Garage**  
Ground Floor

WIDTH: 3.84 m • LENGTH: 5.62 m  
AREA: 21.59 m<sup>2</sup> • PERIMETER: 18.92 m

